



AREA LIGHTS AL-17-AH SERIES



TYPE

SPECIFICATIONS

CONSTRUCTION: Cast aluminum or cast brass China Hat with adjustable hub standard (12v only); matching extruded aluminum or brass stanchion

LAMP SUPPLIED: 20w T3 S.C. Halogen, 10,000 hours average rating (25w max)

LAMP OPTIONS: We recommend 10,000 hours average rating 20w Xenon (-X) or 2.2w 50,000 hours average rating OMNI-2 LED (-LED2)

SOCKET: Single contact bayonet, brass nickel plated lamp socket screw shell (Ba15s); double contact bayonet base (Ba15d) for 120v, both with 200°C silicone lead wires

WIRING: Black 3 foot 18/2 zip cord from base of fixture (12v only)

For 25 foot 16/2 fixture lead wire add -25F to catalog number.
120v standard wiring

CONNECTION: FA-05 Quick Connector (not supplied) from fixture to main cable (12/2, 10/2 or 8/2 only) 12v only

MOUNTING: FA-03 black 9" ABS stake, tapped 1/2" NPS

FINISH: Aluminum-Black texture polyester powder coat. Optional finishes available. Brass-Unfinished brass. Optional finishes available.



AL-17-AH-CAM

AL-17-SMAH-WBR

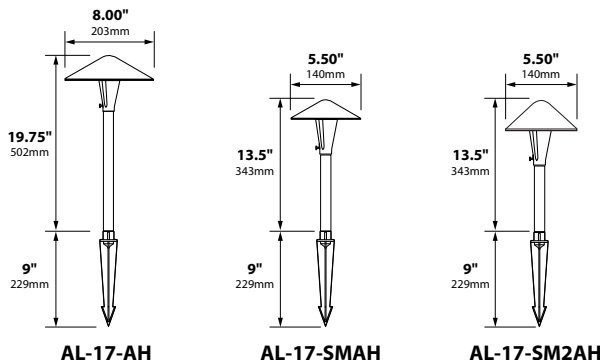
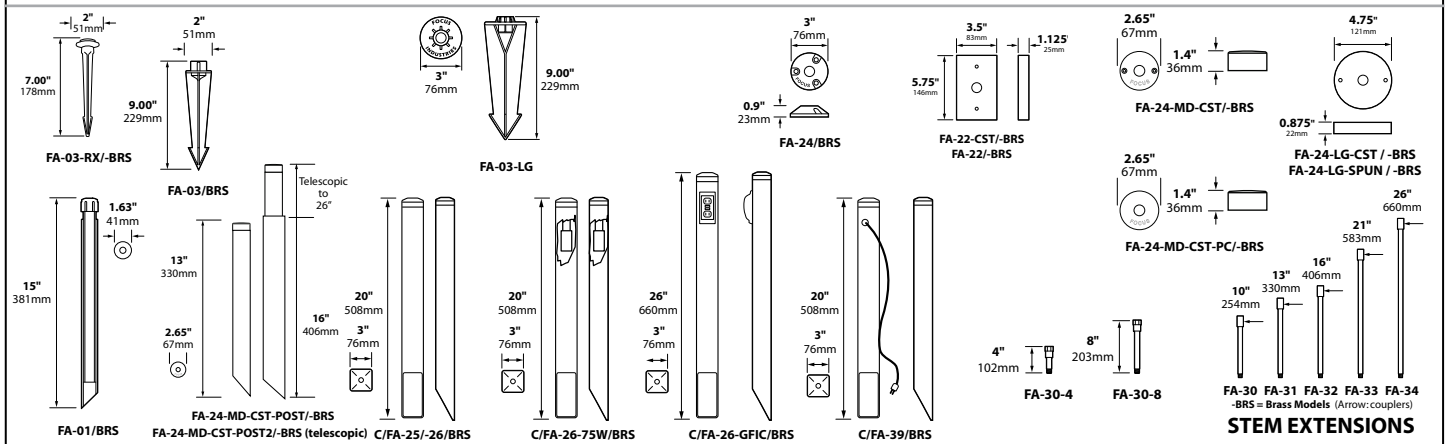
AL-17-SM2AH-BRS



ORDERING INFORMATION

CATALOG NO.	DESCRIPTION	LAMP	SHIP WEIGHT
AL-17-AH-BLT	Cast Aluminum 8" China Hat with Adjustable Hub	20w T3 Halogen	3.0 lbs.
AL-17-AH-BRS	Cast Brass 8" China Hat with Adjustable Hub	20w T3 Halogen	6.0 lbs.
AL-17-SMAH-BLT	Cast Aluminum 5.5" China Hat with Adjustable Hub	20w T3 Halogen	2.0 lbs.
AL-17-SMAH-BRS	Cast Brass 5.5" China Hat with Adjustable Hub	20w T3 Halogen	3.0 lbs.
AL-17-SM2AH-BLT	Cast Aluminum 5.5" China Hat with Adjustable Hub	20w T3 Halogen	2.0 lbs.
AL-17-SM2AH-BRS	Cast Brass 5.5" China Hat with Adjustable Hub	20w T3 Halogen	3.0 lbs.

MOUNTING ACCESSORIES



JOB INFORMATION

Type: _____ Date: _____

Job Name: _____

Cat. No.: _____

Lamp(s): _____

Specifier: _____

Contractor: _____

Notes: _____

FOCUS INDUSTRIES INC.
25301 COMMERCENTRE DRIVE
LAKE FOREST, CA 92630

www.focusindustries.com
sales@focusindustries.com
(949) 830-1350 • FAX (949) 830-3390

Black Texture (Standard)	Antique Verde	Bronze Texture	Camel	White Texture	Hunter Texture	Rust	Weathered Iron	Weathered Brown	Stucco	Rubbed Verde	Chrome Powder	Terra Cotta	Acid Rust	Acid Verde	Black Acid Treatment
-BLT	-ATV	-BRT	-CAM	-WTX	-HTX	-RST	-WIR	-WBR	-STU	-RBV	-CPR	-TRC	-BAR/CAR	-BAV/CAV	-BAT



AREA LIGHTS AL-17-AH SERIES



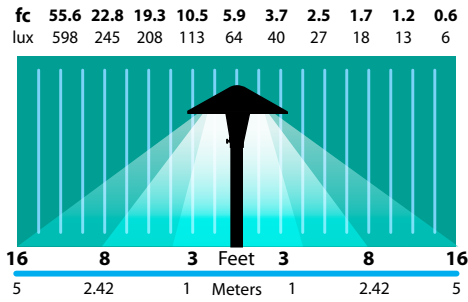
TYPE



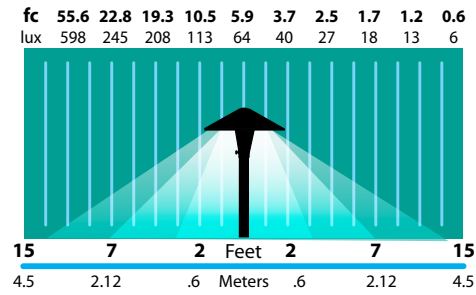
BEAM/GLARE CONTROL ACCESSORIES

FA-97-17	AL-17-AH Sprinkler Guard / Glare Shield
FA-97-17SM	AL-17-SMAH Sprinkler Guard / Glare Shield
FA-97-17SM2	AL-17-SM2AH Sprinkler Guard / Glare Shield

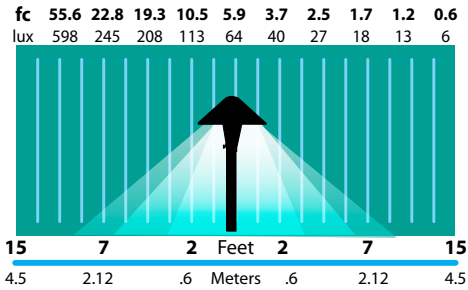
LIGHT DISTRIBUTIONS AND PHOTOMETRICS



AL-17-AH
Half Spread Photometrics
32 ft. (9.6m) diameter



AL-17-SMAH
Half Spread Photometrics
30 ft. (9m) diameter



AL-17-SM2AH
Half Spread Photometrics
30 ft. (9m) diameter

Black Texture (Standard)	Antique Verde	Bronze Texture	Camel	White Texture	Hunter Texture	Rust	Weathered Iron	Weathered Brown	Stucco	Rubbed Verde	Chrome Powder	Terra Cotta	Acid Rust	Acid Verde	Black Acid Treatment
-BLT	-ATV	-BRT	-CAM	-WTX	-HTX	-RST	-WIR	-WBR	-STU	-RBV	-CPR	-TRC	-BAR/CAR	-BAV/CAV	-BAT