



BARBECUE LIGHTS BQ-03 SERIES

TYPE

SPECIFICATIONS

CONSTRUCTION:

FIXTURE: Spun 316 stainless steel, or spun aluminum Bell

FLEX ARM: 24" Stainless steel flex arm, (36" model available with 12" stainless steel extension)
Clear polyolefin shrink cover on stainless steel (-SS) models;
Black polyolefin shrink cover on aluminum (-BLT) models

MOUNT: Cast stainless steel or aluminum deck mount canopy on Flex Deck (-FD) models;
Heavy duty stainless steel C-Clamp with 6" plastic T-Handle on Flex Clamp (-FC) models

SWITCH: On/Off push button with weatherproof rubber boot cover

LENS: None

FINISH: Aluminum - Black texture polyester powder coat. Optional finishes available.
Stainless Steel - Brushed

12v ELECTRICAL SPECIFICATIONS:

LAMP SUPPLIED: 20w T3 S.C. Halogen, 10,000 hours average rating (20w max)

SOCKET: Single contact bayonet, brass nickel plated lamp socket screw shell (Ba15s) with 200°C silicone lead wires

WIRING: Black 7 foot 18/2 zip cord from base of fixture
For 25 foot 16/2 fixture lead wire add -25F to catalog number

120v ELECTRICAL SPECIFICATIONS:

LAMP SUPPLIED: 35w T3 DC Halogen; 2000 hours average rating (35w max)

SOCKET: Double Contact bayonet, brass nickel plated lamp socket screw shell (Ba15d) with 200°C silicone lead wires

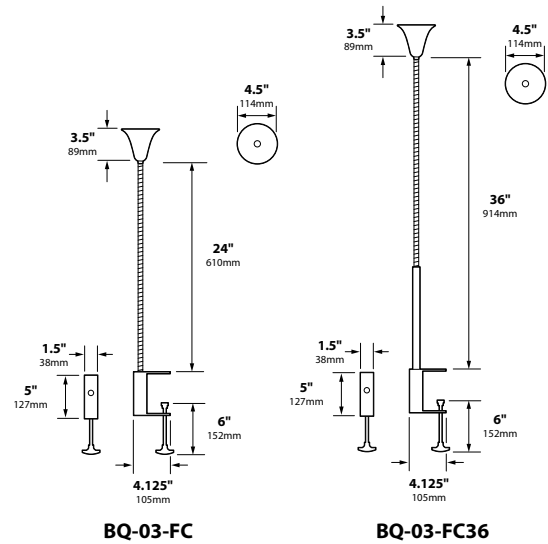
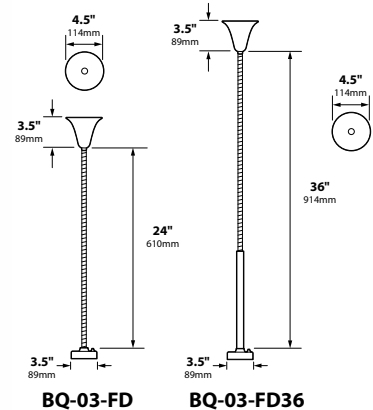
WIRING: Standard Black, White and Ground 9" lead wires on Flex Deck (-FD) models;
9 foot black SJT-WA grounded power cord on Flex Clamp (-FC) models

ORDERING INFORMATION

CATALOG NO.	DESCRIPTION	LAMP	SHIP WEIGHT
12v			
BQ-03-FC-BLT	Spun Aluminum BBQ Light, Flex Clamp with 24" Flex Arm	20w T3 SC Halogen	4.0 lbs.
BQ-03-FC-SS	Spun Stainless Steel BBQ Light, Flex Clamp with 24" Flex Arm	20w T3 SC Halogen	4.0 lbs.
BQ-03-FC36-BLT	Spun Aluminum BBQ Light, Flex Clamp with 36" Flex Arm	20w T3 SC Halogen	5.0 lbs.
BQ-03-FC36-SS	Spun Stainless Steel BBQ Light, Flex Clamp with 36" Flex Arm	20w T3 SC Halogen	5.0 lbs.
BQ-03-FD-BLT	Spun Aluminum BBQ Light, Flex Deck with 24" Flex Arm	20w T3 SC Halogen	4.0 lbs.
BQ-03-FD-SS	Spun Stainless Steel BBQ Light, Flex Deck with 24" Flex Arm	20w T3 SC Halogen	4.0 lbs.
BQ-03-FD36-BLT	Spun Aluminum BBQ Light, Flex Deck with 36" Flex Arm	20w T3 SC Halogen	5.0 lbs.
BQ-03-FD36-SS	Spun Stainless Steel BBQ Light, Flex Deck with 36" Flex Arm	20w T3 SC Halogen	5.0 lbs.
120v			
BQ-03-FC120V-BLT	Spun Aluminum BBQ Light, Flex Clamp with 24" Flex Arm	35w T3 DC Halogen	4.0 lbs.
BQ-03-FC120V-SS	Spun Stainless Steel BBQ Light, Flex Clamp with 24" Flex Arm	35w T3 DC Halogen	4.0 lbs.
BQ-03-FC120V36-BLT	Spun Aluminum BBQ Light, Flex Clamp with 36" Flex Arm	35w T3 DC Halogen	5.0 lbs.
BQ-03-FC120V36-SS	Spun Stainless Steel BBQ Light, Flex Clamp with 36" Flex Arm	35w T3 DC Halogen	5.0 lbs.
BQ-03-FD120V-BLT	Spun Aluminum BBQ Light, Flex Deck with 24" Flex Arm	35w T3 DC Halogen	4.0 lbs.
BQ-03-FD120V-SS	Spun Stainless Steel BBQ Light, Flex Deck with 24" Flex Arm	35w T3 DC Halogen	4.0 lbs.
BQ-03-FD120V36-BLT	Spun Aluminum BBQ Light, Flex Deck with 36" Flex Arm	35w T3 DC Halogen	5.0 lbs.
BQ-03-FD120V36-SS	Spun Stainless Steel BBQ Light, Flex Deck with 36" Flex Arm	35w T3 DC Halogen	5.0 lbs.



BQ-03-FD36-SS



JOB INFORMATION	
Type:	Date:
Job Name:	
Cat. No.:	
Lamp(s):	
Specifier:	
Contractor:	
Notes:	
FOCUS INDUSTRIES INC. 25301 COMMERCENTRE DRIVE LAKE FOREST, CA 92630	
www.focusindustries.com sales@focusindustries.com (949) 830-1350 • FAX (949) 830-3390	

Black Texture (Standard)	Antique Verde	Bronze Texture	Camel	White Texture	Hunter Texture	Rust	Weathered Iron	Weathered Brown	Stucco	Rubbed Verde	Chrome Powder	Terra Cotta	Acid Rust	Acid Verde	Black Acid Treatment
-BLT	-ATV	-BRT	-CAM	-WTX	-HTX	-RST	-WIR	-WBR	-STU	-RBV	-CPR	-TRC	-BAR/CAR	-BAV/CAV	-BAT