



# BARBECUE LIGHTS BQ-08 SERIES

TYPE

## SPECIFICATIONS

### CONSTRUCTION:

**FIXTURE:** Cast 316 stainless steel or aluminum Bullet; (consult factory for brass options)

**FLEX ARM:** 24" Stainless steel flex arm, (36" model available with 12" stainless steel extension)

Clear polyolefin shrink cover on stainless steel (-SS) models;

Black polyolefin shrink cover on aluminum (-BLT) models

**MOUNT:** Cast stainless steel or aluminum deck mount canopy on Flex Deck (-FD) models;

Heavy duty stainless steel C-Clamp with 6" plastic T-Handle on Flex Clamp (-FC) models

**SWITCH:** On/Off push button with weatherproof rubber boot cover

**LENS:** High impact clear tempered flat glass

**O-RING:** High temperature red silicone

**FINISH:** Aluminum - Black texture polyester powder coat. Optional finishes available.

Stainless Steel - Brushed

### 12v ELECTRICAL SPECIFICATIONS:

**LAMP SUPPLIED:** 20w MR16 FL(BAB) 5000 hours average rating (35w max)

**SOCKET:** High temperature ceramic GU5.3 bi-pin with 250°C silicone lead wires

**WIRING:** Black 7 foot 18/2 zip cord from base of fixture

For 25 foot 16/2 fixture lead wire add **-25F** to catalog number

### 120v ELECTRICAL SPECIFICATIONS:

**LAMP SUPPLIED:** 35w MR16 (30°) med. base, 2000 hours average rating (35w max)

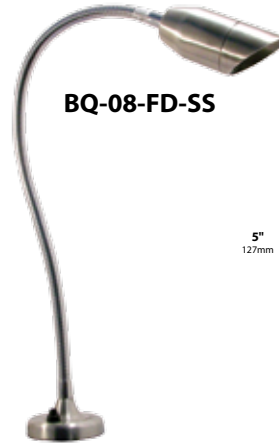
**SOCKET:** High temperature ceramic medium base with 250°C silicone lead wires

**WIRING:** Standard Black, White and Ground 9" lead wires on Flex Deck (-FD) models;

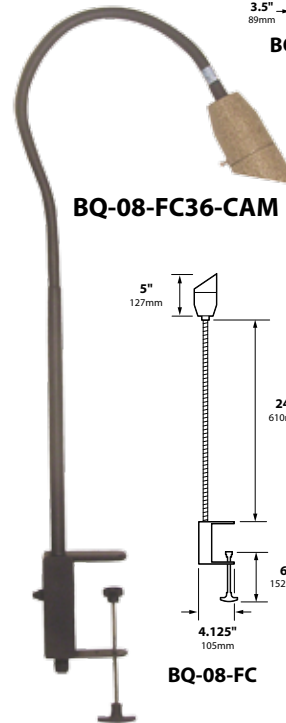
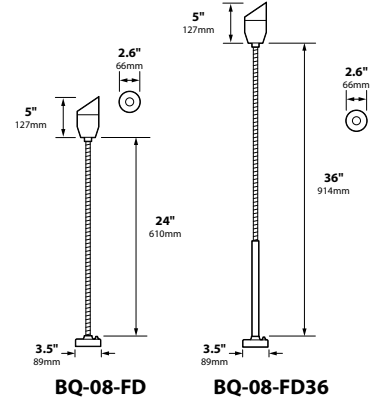
9 foot black SJT-WA grounded power cord on Flex Clamp (-FC) models

## ORDERING INFORMATION

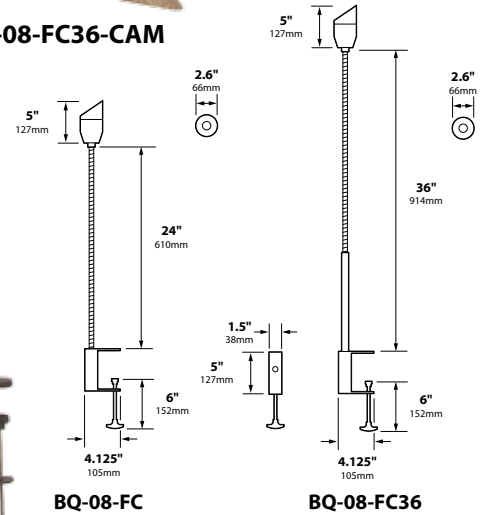
CATALOG NO.	DESCRIPTION	LAMP	SHIP WEIGHT
<b>12v</b>			
<b>BQ-08-FC-BLT</b>	Cast Aluminum BBQ Light, Flex Clamp with 24" Flex Arm	20w MR16 FL(BAB)	4.0 lbs.
<b>BQ-08-FC-SS</b>	316 Stainless Steel BBQ Light, Flex Clamp with 24" Flex Arm	20w MR16 FL(BAB)	4.0 lbs.
<b>BQ-08-FC36-BLT</b>	Cast Aluminum BBQ Light, Flex Clamp with 36" Flex Arm	20w MR16 FL(BAB)	5.0 lbs.
<b>BQ-08-FC36-SS</b>	316 Stainless Steel BBQ Light, Flex Clamp with 36" Flex Arm	20w MR16 FL(BAB)	5.0 lbs.
<b>BQ-08-FD-BLT</b>	Cast Aluminum BBQ Light, Flex Deck with 24" Flex Arm	20w MR16 FL(BAB)	4.0 lbs.
<b>BQ-08-FD-SS</b>	316 Stainless Steel BBQ Light, Flex Deck with 24" Flex Arm	20w MR16 FL(BAB)	4.0 lbs.
<b>BQ-08-FD36-BLT</b>	Cast Aluminum BBQ Light, Flex Deck with 36" Flex Arm	20w MR16 FL(BAB)	5.0 lbs.
<b>BQ-08-FD36-SS</b>	316 Stainless Steel BBQ Light, Flex Deck with 36" Flex Arm	20w MR16 FL(BAB)	5.0 lbs.
<b>120v</b>			
<b>BQ-08-FC-MR16120V-BLT</b>	Cast Aluminum BBQ Light, Flex Clamp with 24" Flex Arm	35w MR16 30°	4.0 lbs.
<b>BQ-08-FC-MR16120V-SS</b>	316 Stainless Steel BBQ Light, Flex Clamp with 24" Flex Arm	35w MR16 30°	4.0 lbs.
<b>BQ-08-FC-MR16120V36-BLT</b>	Cast Aluminum BBQ Light, Flex Clamp with 36" Flex Arm	35w MR16 30°	5.0 lbs.
<b>BQ-08-FC-MR16120V36-SS</b>	316 Stainless Steel BBQ Light, Flex Clamp with 36" Flex Arm	35w MR16 30°	5.0 lbs.
<b>BQ-08-FD-MR16120V-BLT</b>	Cast Aluminum BBQ Light, Flex Deck with 24" Flex Arm	35w MR16 30°	4.0 lbs.
<b>BQ-08-FD-MR16120V-SS</b>	316 Stainless Steel BBQ Light, Flex Deck with 24" Flex Arm	35w MR16 30°	4.0 lbs.
<b>BQ-08-FD36-MR16120V-BLT</b>	Cast Aluminum BBQ Light, Flex Deck with 36" Flex Arm	35w MR16 30°	5.0 lbs.
<b>BQ-08-FD36-MR16120V-SS</b>	316 Stainless Steel BBQ Light, Flex Deck with 36" Flex Arm	35w MR16 30°	5.0 lbs.



**BQ-08-FD-SS**



**BQ-08-FC36-CAM**



JOB INFORMATION	
Type:	Date:
Job Name:	
Cat.No.:	
Lamp(s):	
Specifier:	
Contractor:	
Notes:	

**FOCUS INDUSTRIES INC.**  
25301 COMMERCENTRE DRIVE  
LAKE FOREST, CA 92630

[www.focusindustries.com](http://www.focusindustries.com)  
[sales@focusindustries.com](mailto:sales@focusindustries.com)  
(949) 830-1350 • FAX (949) 830-3390

Black Texture (Standard)	Antique Verde	Bronze Texture	Camel	White Texture	Hunter Texture	Rust	Weathered Iron	Weathered Brown	Stucco	Rubbed Verde	Chrome Powder	Terra Cotta	Acid Rust	Acid Verde	Black Acid Treatment
-BLT	-ATV	-BRT	-CAM	-WTX	-HTX	-RST	-WIR	-WBR	-STU	-RBV	-CPR	-TRC	-BAR/CAR	-BAV/CAV	-BAT