



# BARBECUE LIGHTS BQ-09 SERIES

TYPE

## SPECIFICATIONS

### CONSTRUCTION:

**FIXTURE:** Cast 316 stainless steel, or aluminum Bullet; (consult factory for brass options)

**FLEX ARM:** 24" Stainless steel flex arm, (36" model available with 12" stainless steel extension)

Clear polyolefin shrink cover on stainless steel (-SS) models;

Black polyolefin shrink cover on aluminum (-BLT) models

**MOUNT:** Cast stainless steel or aluminum deck mount canopy on Flex Deck (-FD) models;

Heavy duty stainless steel C-Clamp with 6" plastic T-Handle on Flex Clamp (-FC) models

**SWITCH:** On/Off push button with weatherproof rubber boot cover

**LENS:** High impact clear tempered flat glass

**LAMP SUPPLIED:** 20w MR11 FL(FTD) 5000 hours average rating (20w max)

**SOCKET:** High temperature ceramic GU5.3 bi-pin with 250°C silicone lead wires

**WIRING:** Black 7 foot 18/2 zip cord from base of fixture

For 25 foot 16/2 fixture lead wire add -25F to catalog number

**O-RING:** High temperature red silicone

**FINISH:** Aluminum - Black texture polyester powder coat. Optional finishes available

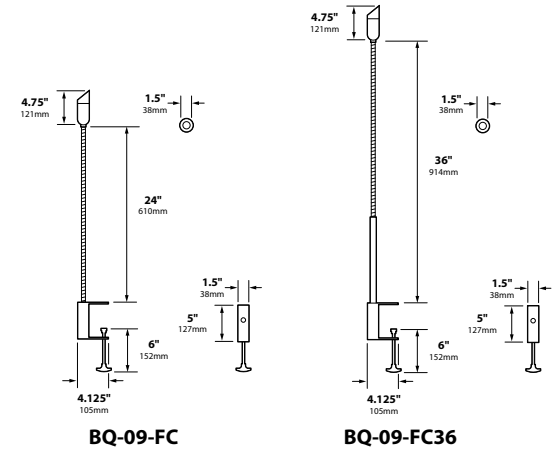
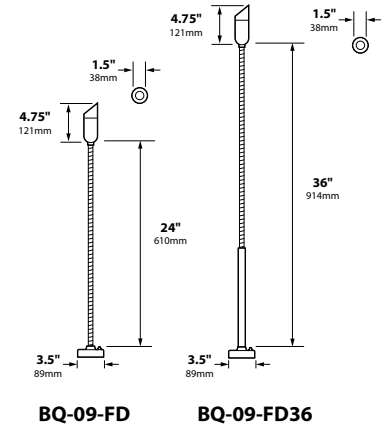
Stainless Steel - Brushed

## ORDERING INFORMATION

CATALOG NO.	DESCRIPTION	LAMP	SHIP WEIGHT
<b>12 VOLT</b>			
BQ-09-FC-BLT	Cast Aluminum BBQ Light, Flex Clamp with 24" Flex Arm	20w MR11 FL(FTD)	3.0 lbs.
BQ-09-FC-SS	316 Stainless Steel BBQ Light, Flex Clamp with 24" Flex Arm	20w MR11 FL(FTD)	3.0 lbs.
BQ-09-FC36-BLT	Cast Aluminum BBQ Light, Flex Clamp with 36" Flex Arm	20w MR11 FL(FTD)	4.0 lbs.
BQ-09-FC36-SS	316 Stainless Steel BBQ Light, Flex Clamp with 36" Flex Arm	20w MR11 FL(FTD)	4.0 lbs.
BQ-09-FD-BLT	Cast Aluminum BBQ Light, Flex Deck with 24" Flex Arm	20w MR11 FL(FTD)	4.0 lbs.
BQ-09-FD-SS	316 Stainless Steel BBQ Light, Flex Deck with 24" Flex Arm	20w MR11 FL(FTD)	4.0 lbs.
BQ-09-FD36-BLT	Cast Aluminum BBQ Light, Flex Deck with 36" Flex Arm	20w MR11 FL(FTD)	5.0 lbs.
BQ-09-FD36-SS	316 Stainless Steel BBQ Light, Flex Deck with 36" Flex Arm	20w MR11 FL(FTD)	5.0 lbs.



BQ-09-FD-SS



### JOB INFORMATION

Type: \_\_\_\_\_ Date: \_\_\_\_\_

Job Name: \_\_\_\_\_

Cat. No.: \_\_\_\_\_

Lamp(s): \_\_\_\_\_

Specifier: \_\_\_\_\_

Contractor: \_\_\_\_\_

Notes: \_\_\_\_\_

**FOCUS INDUSTRIES INC.**  
25301 COMMERCENTRE DRIVE  
LAKE FOREST, CA 92630

[www.focusindustries.com](http://www.focusindustries.com)  
[sales@focusindustries.com](mailto:sales@focusindustries.com)  
(949) 830-1350 • FAX (949) 830-3390

Black Texture (Standard)	Antique Verde	Bronze Texture	Camel	White Texture	Hunter Texture	Rust	Weathered Iron	Weathered Brown	Stucco	Rubbed Verde	Chrome Powder	Terra Cotta	Acid Rust	Acid Verde	Black Acid Treatment
-BLT	-ATV	-BRT	-CAM	-WTX	-HTX	-RST	-WIR	-WBR	-STU	-RBV	-CPR	-TRC	-BAR/CAR	-BAV/CAV	-BAT