



JUNCTION BOXES DB-SERIES



NON-METALLIC JUNCTION BOXES

THIS RUGGED BOX OFFERS ALL THE CORROSION RESISTANCE AND PHYSICAL PROPERTIES YOU NEED FOR JUNCTION BOX PURPOSES.

SPECIFICATIONS

- Bronze high temperature fiberglass reinforced composite box and cover (heavy duty)
- Nema 12: below grade enclosure for direct burial applications
- 3 available 1/2" NPS mounting hubs on cover. Must specify which hole(s) to tap at time of order, if needed. Ships standard without tapped access holes
- Neoprene sponge gasket to keep enclosure dry
- Cover secured with eight (8) #10 3/4" Flathead Stainless Steel Phillips Screws (DBR-79), four (4) #10 3/4" Flathead Stainless Steel Phillips Screws (DB-997) or five (5) #10 3/4" Flathead Stainless Steel Phillips Screws (DB-55)
- Beveled Top to allow for drainage

INSTALLATION

- Must be installed away from standing water.
- Allow for drainage

Ordering Information

DB-997 Direct Burial Junction Box, 9"x 9"x 7"
DBR-79 Direct Burial Round Junction Box, 7"x 9"
DBR-55 Direct Burial Round Junction Box, 4.5"x 5.25"



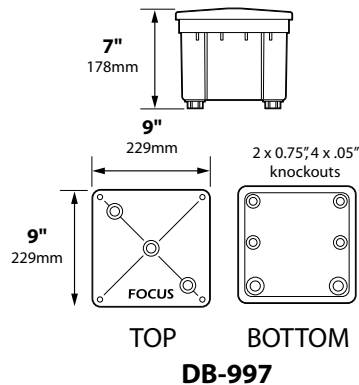
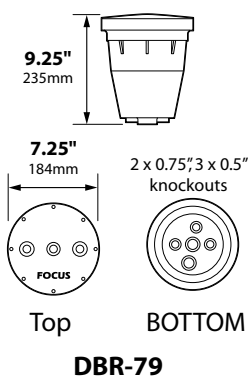
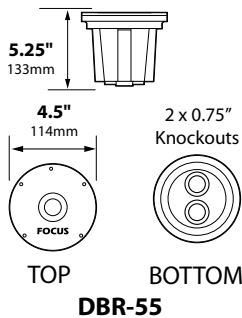
DB-997



DBR-79



DBR-55



JOB INFORMATION	
Type:	Date:
Job Name:	
Cat. No.:	
Lamp(s):	
Specifier:	
Contractor:	
Notes:	
FOCUS LANDSCAPE LIGHTING www.focusindustries.com 25301 COMMERCENTRE DRIVE sales@focusindustries.com LAKE FOREST, CA 92630 (949) 830-1350 • FAX (949) 830-3390	