



# DIRECT BURIAL TRANSFORMERS DB SERIES

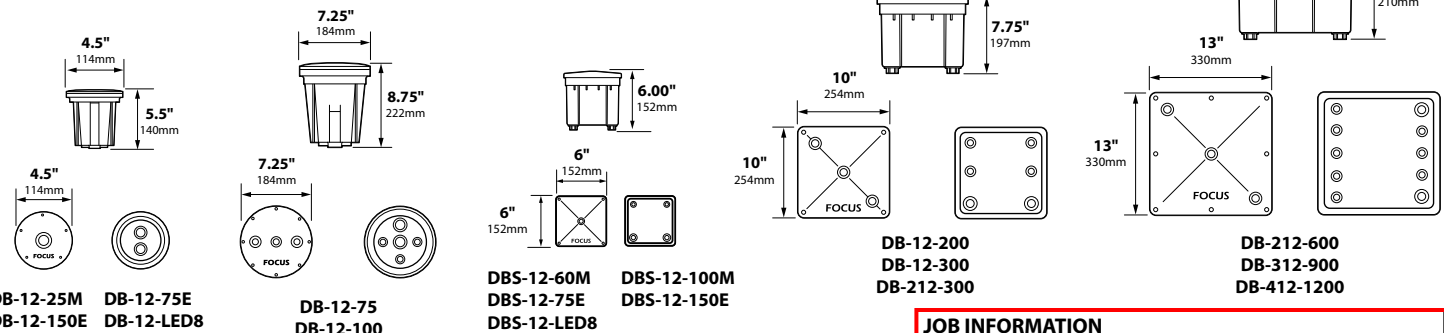
TYPE

## SPECIFICATIONS & FEATURES

- Heavy duty bronze high temperature fiberglass reinforced composite
- 1/2" NPS & 3/4" NPS bottom hubs for line voltage input, feed through & low voltage output
- 1/2" NPS hubs on cover for fixture and or photocell mounting (consult factory for details)
- 120 volt primary, 12.5v secondary, 50/60hz standard
- Multi Volt 12.5v / 13.5v / 14.5v options available (see Transformer Options below)
- Isolation type magnetic transformer - no contact between 120v and 12v windings (compact electronic transformers available, see ordering information below)
- Magnetic circuit breaker for secondary overload/short circuit protection
- Long life, high temperature (130°C) transformer core
- Single phase, open core and coil
- Completely potted for longer life, more efficiency and reduced noise
- 2 feet of 12/2 direct burial cable for low voltage connections (1 per circuit and/or voltage tap)
- 1/2" NPS mounting hubs available on cover (specify at time of order if tapping required)
- NEMA12 rated enclosure for below grade direct burial applications
- UL 1838 and UL 1598 certified

## ORDERING INFORMATION

CATALOG NO.	DESCRIPTION	CIRCUITS	SHIP WEIGHT
DB-12-25M	25w Magnetic Transformer	1	2 lbs.
DB-12-75E	75w Electronic Transformer	1	1 lbs.
DB-12-150E	150w Electronic Transformer	1	1 lbs.
DB-12-LED8	8w LED Driver	1	1 lbs.
DBS-12-60M	60w Magnetic Transformer	1	2 lbs.
DBS-12-100M	100w Magnetic Transformer	1	2 lbs.
DBS-12-75E	75w Electronic Transformer	1	1 lbs.
DBS-12-150E	150w Electronic Transformer	1	1 lbs.
DBS-12-LED8	8w LED Driver	1	1 lbs.
DB-12-60	60w magnetic transformer	1	6 lbs.
DB-12-100	100w magnetic transformer	1	9 lbs.
DB-12-200	200w magnetic transformer, (2 core)	1	11 lbs.
DB-12-300	300w magnetic transformer, (1 core)	1	13 lbs.
DB-212-300	300w magnetic transformer, (1 core split)	2	13 lbs.
DB-212-600	600w magnetic transformer, (1 core split)	2	24 lbs.
DB-212-600-2C	600w magnetic transformer, (2 core)	2	24 lbs.
DB-312-900	900w magnetic transformer, (2 core)	3	32 lbs.
DB-312-900-3C	900w magnetic transformer, (3 core)	3	32 lbs.
DB-412-1200	1200w magnetic transformer, (2 core)	4	41 lbs.
DB-412-1200-4C	1200w magnetic transformer, (4 core)	4	41 lbs.



IP66

NEMA 12

CE

UL LISTED US

**NEW**



DB-12-25M  
DB-12-75E  
DB-12-150E  
DB-12-LED8

(2) 1/2" NPS threaded ports available on bottom



DB-12-60  
DB-12-100

(2) 3/4" NPS and (3) 1/2" NPS threaded ports available on bottom

**NEW**



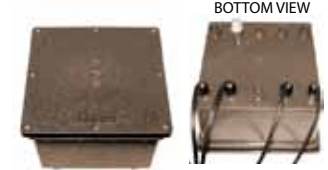
DBS-12-60M DBS-12-100M  
DBS-12-75E DBS-12-150E DBS-12-LED8

(2) 3/4" NPS and (2) 1/2" NPS threaded ports available on bottom



DB-12-200  
DB-12-300  
DB-212-300

(2) 3/4" NPS and (4) 1/2" NPS threaded ports available on bottom



DB-212-600  
DB-312-900  
DB-412-1200

(4) 3/4" NPS and (6) 1/2" NPS threaded ports available on bottom

## TRANSFORMER OPTIONS

- ADD -MV** 12.5v / 13.5v / 14.5v Multi Voltage output on any single circuit transformer
- ADD -MV1** (1) 12.5v / 13.5v / 14.5v Multi Voltage output on 2, 3 or 4 circuit transformer
- ADD -MV2** (2) 12.5v / 13.5v / 14.5v Multi Voltage outputs on 2, 3 or 4 circuit transformer
- ADD -MV3** (3) 12.5v / 13.5v / 14.5v Multi Voltage outputs on 3 or 4 circuit transformer
- ADD -MV4** (4) 12.5v / 13.5v / 14.5v Multi Voltage outputs on 4 circuit transformer
- ADD -PC** Photocell mounted on top
- ADD -RPC** Remote photocell with 19' cord
- ADD -R** 24V AC Relay control. (For use with existing irrigation controllers)
- ADD -220V** 220v Input / 12.5v output in 300w increments (no multi voltage)
- ADD -240V** 240v Input / 12.5v output in 300w increments (no multi voltage)
- ADD -277V** 270v Input / 12.5v output in 300w increments (no multi voltage)

## JOB INFORMATION

Type: \_\_\_\_\_ Date: \_\_\_\_\_

Job Name: \_\_\_\_\_

Cat. No.: \_\_\_\_\_

Lamp(s): \_\_\_\_\_

Specifier: \_\_\_\_\_

Contractor: \_\_\_\_\_

Notes: \_\_\_\_\_

**FOCUS INDUSTRIES INC.**  
25301 COMMERCENTRE DRIVE  
LAKE FOREST, CA 92630

[www.focusindustries.com](http://www.focusindustries.com)  
sales@focusindustries.com  
(949) 830-1350 • FAX (949) 830-3390