



# DIRECTIONAL LIGHTS DL-41 SERIES

TYPE

## SPECIFICATIONS

**CONSTRUCTION:** 2" extruded aluminum or extruded brass mini directional flood light; matching 360° swivel

**LENS:** High impact sandblasted flat glass

**LAMP SUPPLIED:** 10w G4 bi-pin Xenon; 10,000 hours average rating (10w Max)

**LAMP OPTIONS:** 3w LED module; 50,000 hours average rating (3w Max)

**SOCKET:** High temperature ceramic G4 with 250°C silicone lead wires. LED module; integrated hard wire, no socket

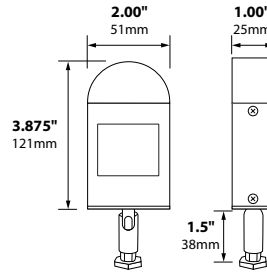
**WIRING:** Black 3 foot 18/2 zip cord from base of fixture

For 25 foot 16/2 fixture lead wire add -25F to catalog number.

**CONNECTION:** FA-05 Quick Connector (not supplied) from fixture to main cable (12/2, 10/2 or 8/2 only)

**MOUNTING:** FA-03 Black 9" ABS stake, tapped 1/2"NPS

**FINISH:** Aluminum - Black texture polyester powder coat. Optional finishes available  
Brass - Unfinished brass. Optional finishes available



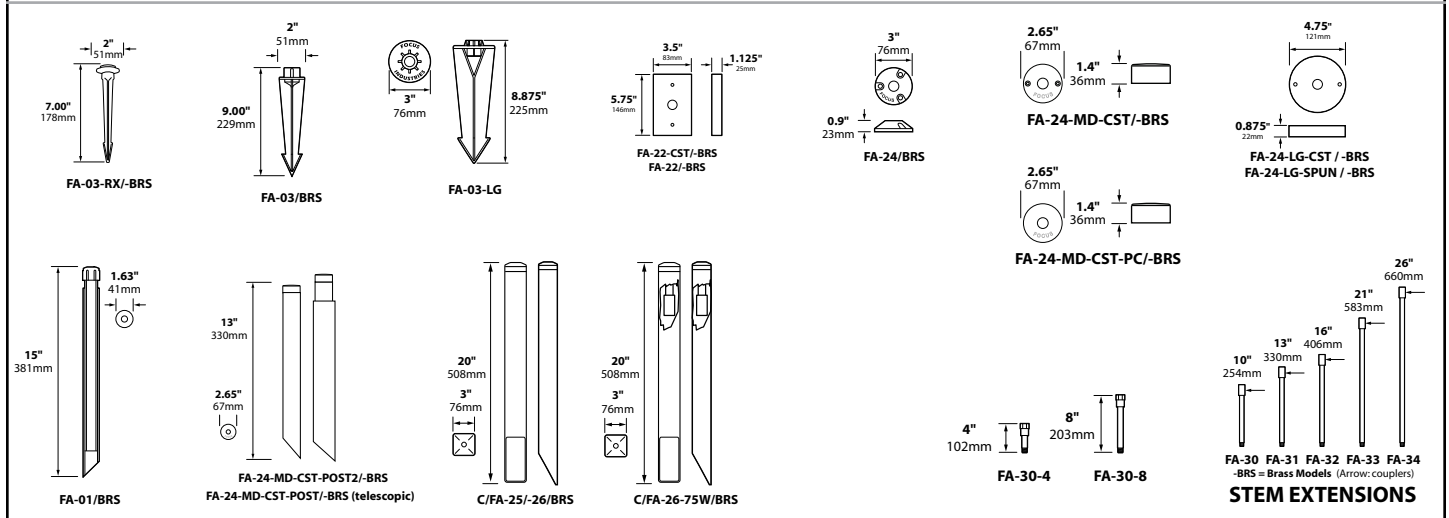
**DL-41-XBP10-WBR**  
mounted on  
FA-24-BRS

## ORDERING INFORMATION

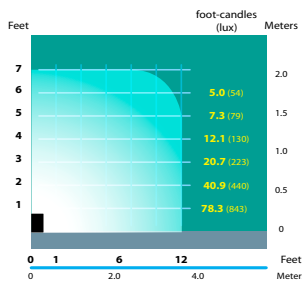
CATALOG NO.	DESCRIPTION	LAMP	SHIP WEIGHT
DL-41-XBP10-BLT	Aluminum Mini Directional Flood with 360° Swivel	10w G4 bi-pin Xenon	1.0 lbs.
SL-41-XBP10-BRS	Brass Mini Directional Flood with 360° Swivel	10w G4 bi-pin Xenon	1.0 lbs.



## MOUNTING ACCESSORIES



## LIGHT DISTRIBUTIONS AND PHOTOMETRICS



**DL-41**

Half Spread Photometrics

## JOB INFORMATION

Type: \_\_\_\_\_ Date: \_\_\_\_\_

Job Name: \_\_\_\_\_

Cat. No.: \_\_\_\_\_

Lamp(s): \_\_\_\_\_

Specifier: \_\_\_\_\_

Contractor: \_\_\_\_\_

Notes: \_\_\_\_\_

**FOCUS INDUSTRIES INC.**  
25301 COMMERCENTRE DRIVE  
LAKE FOREST, CA 92630

[www.focusindustries.com](http://www.focusindustries.com)  
[sales@focusindustries.com](mailto:sales@focusindustries.com)  
(949) 830-1350 • FAX (949) 830-3390

Black Texture (Standard)	Antique Verde	Bronze Texture	Camel	White Texture	Hunter Texture	Rust	Weathered Iron	Weathered Brown	Stucco	Rubbed Verde	Chrome Powder	Terra Cotta	Acid Rust	Acid Verde	Black Acid Treatment
-BLT	-ATV	-BRT	-CAM	-WTX	-HTX	-RST	-WIR	-WBR	-STU	-RBV	-CPR	-TRC	-BAR/CAR	-BAV/CAV	-BAT