



# UNDERGROUND JUNCTION BOX FA-BOX SERIES

## SPECIFICATIONS

**Construction:** Heavy die cast brass  
**Volume:** 20 cubic inches  
**Gasket:** Red silicon  
**Screws:** (6 ) 10-24 stainless steel  
**Conduit Entries:** Bottom  
**Fasteners:** Brass nickel plated  
**Accessories:** Potting compound available

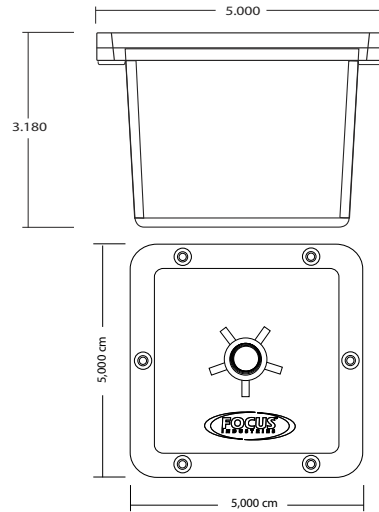
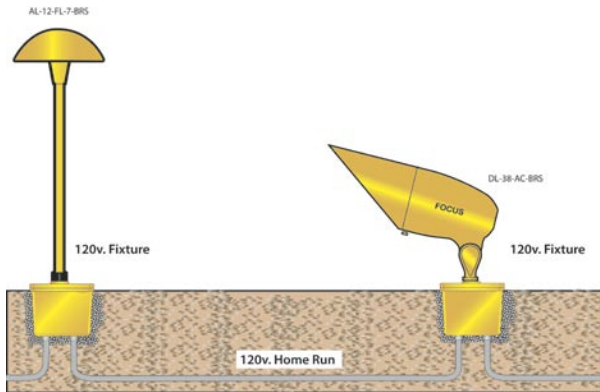


## ORDERING INFORMATION

CATALOG NO.	MATERIAL	EST. WT.
FA-Box	Brass	4Lbs.

## SITE EXAMPLE

The J-Box is designed for connection of supply cords



### JOB INFORMATION

Type:	Date:
Job Name:	
Cat. No.:	
Lamp(s):	
Specifier:	
Contractor:	
Notes:	

**FOCUS INDUSTRIES INC.**  
 25301 COMMERCENTRE DRIVE  
 LAKE FOREST, CA 92630

[www.focusindustries.com](http://www.focusindustries.com)  
[sales@focusindustries.com](mailto:sales@focusindustries.com)  
 (949) 830-1350 • FAX (949) 830-3390