



# PUTTING GREEN LIGHTS PGL-02 SERIES

TYPE

## SPECIFICATIONS

**CONSTRUCTION:** Extruded aluminum or stamped brass body with cast aluminum or brass adjustable swivel; matching extruded aluminum or brass stanchion

**REFLECTOR:** Diamond embossed specular aluminum

**LENS:** High impact clear tempered flat glass

**GASKET:** None

**LAMP SUPPLIED:** 35w T-4 DC halogen; 10,000 hours rating (50w max.)

**LAMP OPTIONS:** 50w T-4 DC halogen; 2,000 hours rating

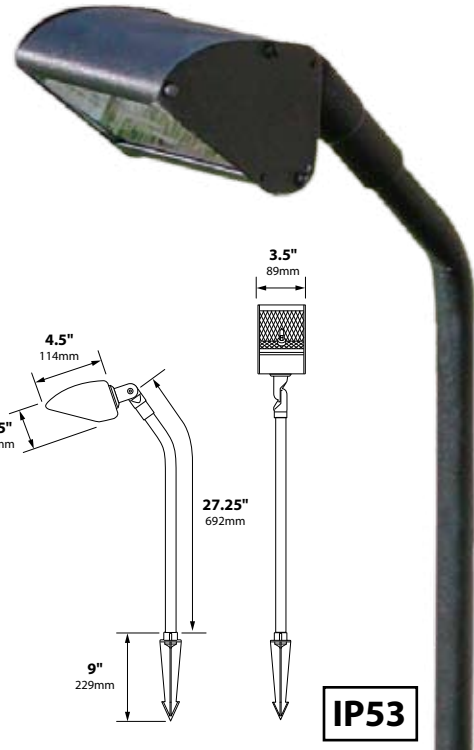
**SOCKET:** Double contact bayonet, brass nickel plated lamp socket screw shell (Ba15s) with 200°C silicone lead wires

**WIRING:** Black 3 foot 18/2 zip cord (12v only)

For 25 foot 16/2 fixture lead wire add -25F to catalog number.

**CONNECTION:** FA-05 Quick Connector (not supplied) from fixture to main cable (12/2, 10/2 or 8/2 only)

**FINISH:** Aluminum - Black texture polyester powder coat. Optional finishes available  
Brass - Unfinished. Optional finishes available

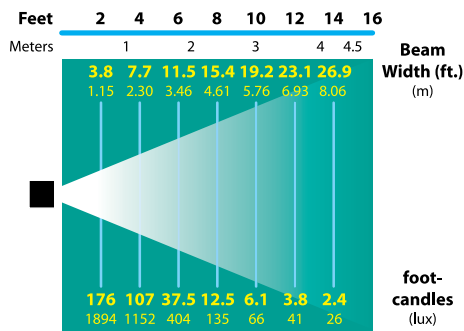


PGL-02-BLT

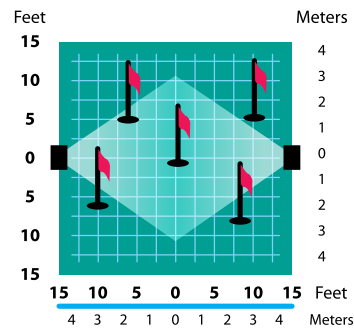
## ORDERING INFORMATION

CATALOG NO.	DESCRIPTION	LAMP	SHIP WEIGHT
PGL-02-BLT	Aluminum Putting Green Light	35w T4 Halogen	3.0 lbs.
PGL-02-BRS	Brass Putting Green Light	35w T4 Halogen	5.0 lbs.

## LIGHT DISTRIBUTIONS AND PHOTOMETRICS



35w T-4 DC Halogen



PGL-02 Light Distribution

### JOB INFORMATION

Type: \_\_\_\_\_ Date: \_\_\_\_\_

Job Name: \_\_\_\_\_

Cat. No.: \_\_\_\_\_

Lamp(s): \_\_\_\_\_

Specifier: \_\_\_\_\_

Contractor: \_\_\_\_\_

Notes: \_\_\_\_\_

FOCUS INDUSTRIES INC. 25301 COMMERCENTRE DRIVE LAKE FOREST, CA 92630  
 www.focusindustries.com sales@focusindustries.com (949) 830-1350 • FAX (949) 830-3390

Black Texture (Standard)	Antique Verde	Bronze Texture	Camel	White Texture	Hunter Texture	Rust	Weathered Iron	Weathered Brown	Stucco	Rubbed Verde	Chrome Powder	Terra Cotta	Acid Rust	Acid Verde	Black Acid Treatment
-BLT	-ATV	-BRT	-CAM	-WTX	-HTX	-RST	-WIR	-WBR	-STU	-RBV	-CPR	-TRC	-BAR/CAR	-BAV/CAV	-BAT