



landscape • entertainment • architectural • hospitality • illumination

RXP-01/02 SERIES



PATH LIGHTS



RXP-01-COP



RXP-02-COP



RXP-02-COP



RXP-01-COP

25301 COMMERCENTRE DRIVE • LAKE FOREST, CA 92630 • 949.830.1350 • 888.882.1350 • FAX 949.830.3390



PATH LIGHTS RXP-01/-02 SERIES



TYPE

SPECIFICATIONS

CONSTRUCTION: Aluminum tube shield bullet & cast aluminum swivel with 240° rotation with aluminum stem. Copper tube shield bullet and cast brass adjustable swivel with 240° rotation. Brass stem

LENS: High impact clear tempered convex glass

O-RING: High temperature red silicone

LAMP SUPPLIED: 20w MR16 FL(BAB) 5000 hours average rating (50w max)

LAMP OPTIONS: We recommend 20w MR16 ULTRA10,000 hours average rating; 20w MR16 TITAN 18,000 hours average rating; 4w ARROW LED 50,000 average rating

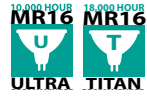
SOCKET: High temperature ceramic GU5.3 bi-pin with 250°C silicone lead wires

WIRING: Black 3 foot 18/2 zip cord from base of fixture (12v only)
For 25 foot 16/2 fixture lead wire add -25F to catalog number.

CONNECTION: FA-05 Quick Connector (not supplied) from fixture to main cable (12/2, 10/2 or 8/2 only)

MOUNTING: FA-03 LG black 9" ABS stake threaded 1/2" NPS

FINISH: Aluminum-Black texture polyester powder coat. Optional finishes available.
Copper-Unfinished copper. Optional finishes available.



RXP-02-COP

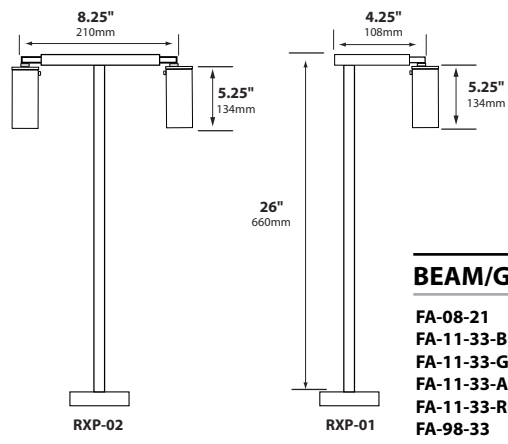
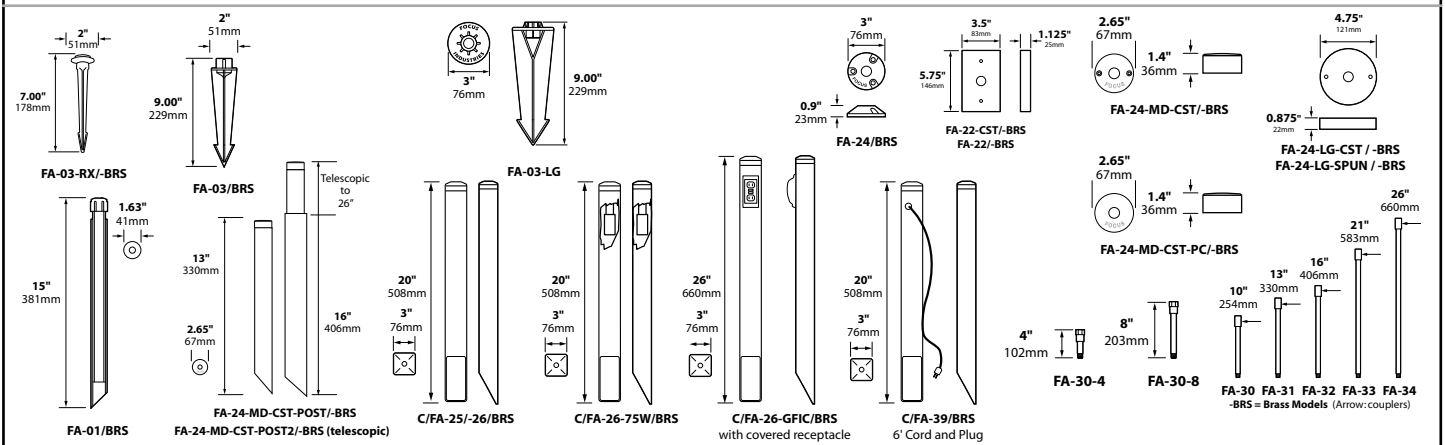
RXP-01-COP

LAMP AND STAKE **INSTALLED** TO SAVE YOU TIME AND MONEY

ORDERING INFORMATION

CATALOG NO.	DESCRIPTION	LAMP	SHIP WEIGHT
RXP-01-BLT	1x 20w MR16 Aluminum Path Light	20w MR16 FL(BAB)	4.0 lbs.
RXP-02-BLT	2x 20w MR16 Aluminum Path Light	20w MR16 FL(BAB)	5.0 lbs.
RXP-01-COP	1x 20w MR16 Copper Path Light	20w MR16 FL(BAB)	2.5 lbs.
RXP-02-COP	2x 20w MR16 Copper Path Light	20w MR16 FL(BAB)	3.0 lbs.

MOUNTING ACCESSORIES



BEAM/GLARE CONTROL ACCESSORIES

- FA-08-21 Round 1/4" Hex Cell Louver
- FA-11-33-BLUE Blue Tempered Glass Lens
- FA-11-33-GREEN Green Tempered Glass Lens
- FA-11-33-AMBER Amber Tempered Glass Lens
- FA-11-33-RED Red Tempered Glass Lens
- FA-98-33 Linear Spread Tempered Glass Lens
- FA-104-33-SB Wide Spread Sandblasted Glass Lens Softener

JOB INFORMATION

Type: _____ Date: _____

Job Name: _____

Cat. No.: _____

Lamp(s): _____

Specifier: _____

Contractor: _____

Notes: _____

FOCUS INDUSTRIES INC.®
25301 COMMERCENTRE DRIVE
LAKE FOREST, CA 92630

www.focusindustries.com
sales@focusindustries.com
(949) 830-1350 • FAX (949) 830-3390

Black Texture (Standard)	Antique Verde	Bronze Texture	Camel	White Texture	Hunter Texture	Rust	Weathered Iron	Weathered Brown	Stucco	Rubbed Verde	Chrome Powder	Terra Cotta	Acid Rust	Acid Verde	Black Acid Treatment
-BLT	-ATV	-BRT	-CAM	-WTX	-HTX	-RST	-WIR	-WBR	-STU	-RBV	-CPR	-TRC	-BAR/CAR	-BAV/CAV	-BAT