

# PENDANT LIGHTS RXS-09 SERIES

TYPE



## SPECIFICATIONS

**CONSTRUCTION:** Copper tube shield Bullet with matching extruded aluminum stem; includes stamped copper FA-24-MD canopy

**LENS:** High impact clear tempered flat glass

**O-RING:** High temperature red silicone

**LAMP SUPPLIED:** 20w MR8 NFL 2000 hours average rating (20w max)

**LAMP OPTIONS:** 20w MR8 NSP 2000 hours average rating

**SOCKET:** High temperature ceramic GU5.3 bi-pin with 250°C silicone lead wires

**WIRING:** Black 2 foot 18/2 zip cord from base of fixture (12v only)

For 25 foot 16/2 fixture lead wire add -25F to catalog number.

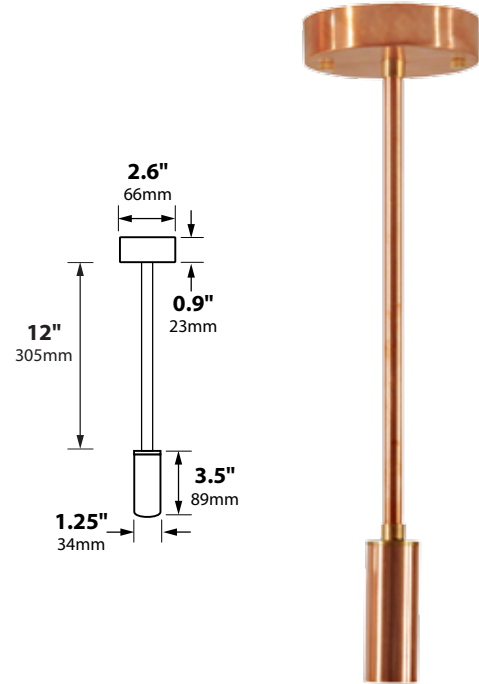
**CONNECTION:** FA-05 Quick Connector (not supplied) from fixture to main cable (12/2, 10/2 or 8/2 only)

**MOUNTING:** FA-24-MD canopy and hardware

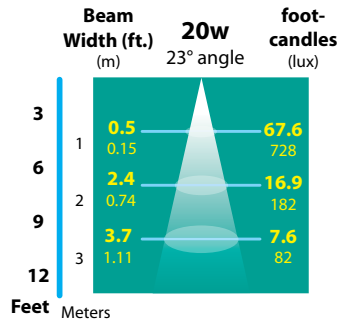
**FINISH:** Unfinished Copper. Optional finishes available

## ORDERING INFORMATION

CATALOG NO.	DESCRIPTION	LAMP	SHIP WEIGHT
RXS-09-COP	Copper Tube Shield Pendant Light	20w MR8 NFL	2.0 lbs.



## LIGHT DISTRIBUTIONS AND PHOTOMETRICS



20w MR8 NFL



## BEAM/GLARE CONTROL ACCESSORIES

FA-08-23	Round 1/4" Hex Cell Louver
FA-11-23-BLUE	Blue Tempered Glass Lens
FA-11-23-GREEN	Green Tempered Glass Lens
FA-98-23	Linear Spread Tempered Glass Lens
FA-104-23	Wide Spread Sandblasted Glass Lens Softener

## JOB INFORMATION

Type: \_\_\_\_\_ Date: \_\_\_\_\_

Job Name: \_\_\_\_\_

Cat. No.: \_\_\_\_\_

Lamp(s): \_\_\_\_\_

Specifier: \_\_\_\_\_

Contractor: \_\_\_\_\_

Notes: \_\_\_\_\_

FOCUS INDUSTRIES INC.®  
25301 COMMERCENTRE DRIVE  
LAKE FOREST, CA 92630

www.focusindustries.com  
sales@focusindustries.com  
(949) 830-1350 • FAX (949) 830-3390

Black Texture (Standard)	Antique Verde	Bronze Texture	Camel	White Texture	Hunter Texture	Rust	Weathered Iron	Weathered Brown	Stucco	Rubbed Verde	Chrome Powder	Terra Cotta	Acid Rust	Acid Verde	Black Acid Treatment
-BLT	-ATV	-BRT	-CAM	-WTX	-HTX	-RST	-WIR	-WBR	-STU	-RBV	-CPR	-TRC	-BAR/CAR	-BAV/CAV	-BAT