



WELL LIGHTS SL-20-CFL SPIRAL

SPECIFICATIONS

- CONSTRUCTION:** Sealed fiberglass reinforced composite
GASKET: Black high tempered silicone
LENS: Clear convex tempered glass
SOCKET: GU24 hardwire
LAMP LIFE: 30,000 hours average rating
WIRING: Black 4 foot 18/2 zip cord
CONNECTION: FA-05 Quick Connector for 12v. models only (not supplied). Standard wiring for 120 volt from fixture to main cable
FINISH: Optional finishes available



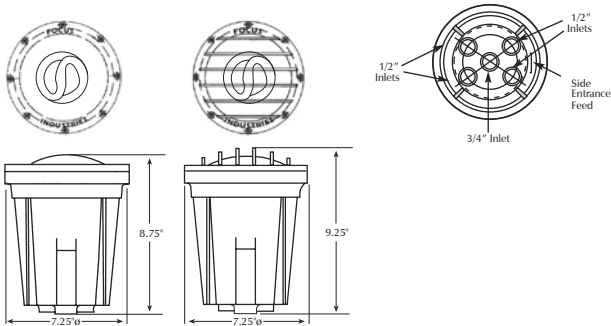
SL-20L-CFL



SL-20G-CFL

ORDERING INFORMATION

CATALOG NO.	DESCRIPTION	LAMP SUPPLIED	STANDARD FINISH
SL-20G-13S	Sealed composite Grated Well Light with lens	13w. CFL Spiral	Bronze comp.
SL-20L-13S	Sealed composite Lensed Well Light	13w. CFL Spiral)	Bronze comp.
SL-20G-18S	Sealed composite Grated Well Light with lens	18w. CFL Spiral	Bronze comp.
SL-20G-18S	Sealed composite Grated Well Light with lens	18w. CFL Spiral	Bronze comp.
SL-20G-26S	Sealed composite Grated Well Light with lens	26w. CFL Spiral	Bronze comp.
SL-20G-26S	Sealed composite Grated Well Light with lens	26w. CFL Spiral	Bronze comp.



ACCESSORIES

CATALOG NO.	DESCRIPTION
FA-08-SL20	Round 1/4" Hex Cell Louver
FA-10-SL20-CLEAR	Round 1/4" Clear Tempered Glass
FA-10-SL20-BLUE	Blue Tempered Flat Glass
FA-10-SL20-GREEN	Green Tempered Flat Glass
FA-133	Cast Aluminum Lens Holder
FA-133-BRS	Cast Brass Lens Holder
FA-134	Cast Aluminum Grate
FA-134-BRS	Cast Brass Grate
FA-135	Stamped Aluminum Eyebrow
FA-135-BRS	Stamped Brass Eyebrow

JOB INFORMATION

Type: _____ Date: _____
 Job Name: _____
 Cat. No.: _____
 Lamp(s): _____
 Specifier: _____
 Contractor: _____
 Notes: _____

FOCUS INDUSTRIES INC. 25301 COMMERCENTRE DRIVE LAKE FOREST, CA 92630
 www.focusindustries.com sales@focusindustries.com (949) 830-1350 • FAX (949) 830-3390

FSA-00

Powder Coat Finishes	Black Texture (Standard)	Antique Verde	Bronze Texture	Camel	White Texture	Hunter Texture	Rust	Weathered Iron	Weathered Brown	Stucco	Rubbed Verde	Chrome Powder	Terra Cotta
Ordering Code	-BLT	-ATV	-BRT	-CAM	-WTX	-HTX	-RST	-WIR	-WBR	-STU	-RBV	-CPR	-TRC



FOCUS
INDUSTRIES

INSTALLATION INSTRUCTIONS FOR FOR SL-01/SL-03 SERIES, SL-20MR16/PAR36, SL-21 (WELL LIGHTS)

Inspected by

SL-01:

For SL-01 the Light Bulb is installed. Dig hole approx. 1 ft. Dia x 1 ft. deep. Add 4-6" drainage material. Connect fixture lead wire to main cable w/ FA-05 Quick Connector. After fixture lights, position in hole and backfill remaining drainage material around housing. Leave 1-2 ft. of fixture wire coiled at bottom of fixture for lamp servicing.

To replace lamp, remove assembly from ABS housing, rotate lamp upside down to access wiring. Disconnect lead wires from lamp terminals. Rotate lamp retaining ring cut out w/one of the hex couplers. Press lamp upward. Ring & lamp will release. Reverse above steps to install a new lamp.

SL-03:

For SL-03, the Light Bulb is NOT installed. Shipped in protective box to avoid damage to MR-16 lamp. You must remove 4 screws and cap to install light bulb. Press MR16 into socket, replace cap and carefully align gasket with body to insure a solid contact seal. Tighten down screws. SL-03 & SL-03-NL are supplied with FA-17-Clear, convex lens & holder. SL-03-AC can accept accessories. When the above is completed, follow the same procedures for digging, backfilling, and connection as SL-01.

SL-20-MR16/PAR36:

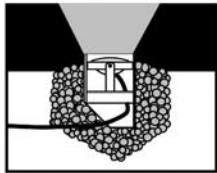
For SL-20-MR16/PAR36 same as SL-03 except 8 stainless steel screws for securing the lens holder to the body. Gasket is formed over the glass and has only one way to fit. the 4' lead wire is supplied out the bottom of fixture with a liquid tight connector. This fixture is commercially acceptable. Same procedures for digging, back-filling and connection as SL-01.

SL-21

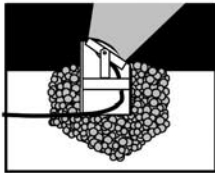
For SL-21 same as SL-01/03 installation except lens cover is pressure fit. No screws and has an inner housing cup that is removed for relamping. Quick lamp installation and relamping. Make sure housing is 3" - 4" above finish grade.

NOTE: Well Lights should be installed in a manner that water will drain away from the fixture. The preferred method is with pea gravel or sand. This allows excellent drainage. Fixture must also be positioned where the top edge must be above final grade by a minimum of 1" to prevent water or debris from entering the housing. Well Lights are NOT underwater lights. Do NOT install in low grade areas where water will gather. In turf applications it is best to use 2 x 4s or concrete border to separate grass from fixture to insure proper drainage and prevent lawn equipment from damaging the product. If constant debris/water is a concern, use FOCUS convex lens & holder or lens & grate.

SL-01 Straight Cut Up
Pea Gravel/Sand



SL-01 Angle Cut Up
Pea Gravel/Sand



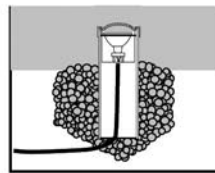
SL-03
Pea Gravel/Sand



SL-20G-MR-16/PAR36
Pea Gravel/Sand



SL-21 Straight Up
Pea Gravel/Sand



SL-21 Tilted
Pea Gravel/Sand



WARNING: DO NOT cover aperture with leaves, mulch, pine straw or any other debris. Possible Fire will occur.