



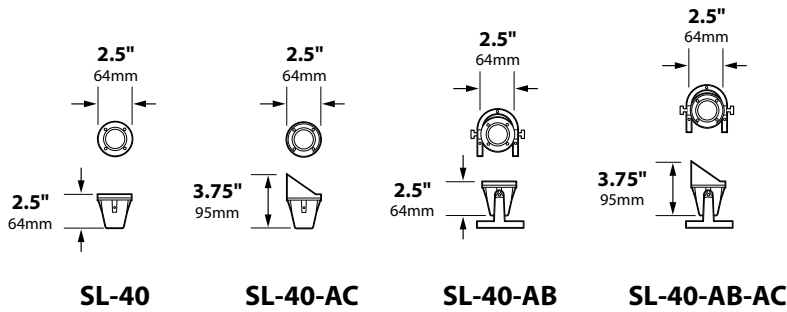
UNDERWATER LIGHTS SL-40-SERIES

SPECIFICATIONS

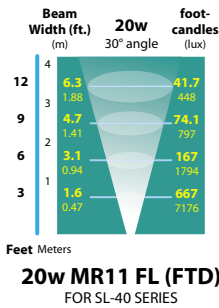
- CONSTRUCTION:** Solid cast brass
- AIMING BRACKET (SL-40-AB, SL-40-AB-AC only):** Solid cast brass with black knobs
- LENS:** High impact clear tempered flat glass
- LAMP:** 20 watt MR11 flood (FTD) with front glass (35 watt max.)
- SOCKET:** G24 high-temperature ceramic bi-pin with 250°C lead wire
- LAMP LIFE:** 2000 hours average rating
- WIRING:** 15 feet of 18/2 SJT-WA cord, side mount wiring on **-SM** designated models
- CORD CONNECTOR:** Brass nickel-plated liquid-tight straight bushing from base of fixture
- MOUNTING:** Flush to bottom surface with aiming bracket (**-AB**). Wall mount with stainless steel screws 3.5" (not supplied)
- STANDARD FINISH:** Unfinished brass, available with Black Acid Treatment. Add **-BAT** to catalog #

ORDERING INFORMATION

CATALOG NO.	DESCRIPTION
SL-40	Brass Underwater light
SL-40-AC	Brass Underwater light with angle collar
SL-40-AB	Brass Underwater light with adjustable aiming bracket
SL-40-AB-AC	Brass Underwater light with angle collar and adjustable aiming bracket
SL-40-SM	Brass Underwater light with side mount wire
SL-40-SM-AC	Brass Underwater light with side mount wire and angle collar



LIGHT DISTRIBUTIONS AND PHOTOMETRICS



ACCESSORIES



- FA-11-SL-40-BLUE** Blue Tempered Glass Lens
- FA-11-SL-40-GREEN** Green Tempered Glass Lens
- FA-11-SL-40-RED** Red Tempered Glass Lens
- FA-11-SL-40-AMBER** Amber Tempered Glass Lens
- FA-11SL-40-WL** White Flashed Opal Tempered Glass Lens
- FA-137** For additional cord length, add length in feet to catalog number (50' maxi.)
- FA-157** Cast Brass Angle Collar (**-AC**)
- FA-158** Brass Adjustable Aiming Bracket (**-AB**)

12v. fixtures: 25 foot 16/2 fixture lead wire available; add **-25F** to catalog number. For use with Focus CPC or hub supplied by others.

FSA-00

Powder Coat Finishes	Black Texture (Standard)	Antique Verde	Bronze Texture	Camel	White Texture	Hunter Texture	Rust	Weathered Iron	Weathered Brown	Stucco	Rubbed Verde	Chrome Powder	Terra Cotta
Ordering Code	-BLT	-ATV	-BRT	-CAM	-WTX	-HTX	-RST	-WIR	-WBR	-STU	-RBV	-CPR	-TRC



JOB INFORMATION

Type: _____ Date: _____

Job Name: _____

Cat. No.: _____

Lamp(s): _____

Specifier: _____

Contractor: _____

Notes: _____

FOCUS INDUSTRIES INC.
25301 COMMERCE DRIVE
LAKE FOREST, CA 92630

www.focusindustries.com
sales@focusindustries.com
(949) 830-1350 • FAX (949) 830-3390





FOCUS™
INDUSTRIES

INSTALLATION INSTRUCTIONS (12v)
FOR SL-11, SL-40 UNDERWATER LIGHT FIXTURES

Inspected by

Without Aiming Bracket

- 1) Install fixture into pond/fountain using rocks to keep fixture in place.
- 2) Route wire out of water and connect to 12v power supply per local code. Check for proper operation.

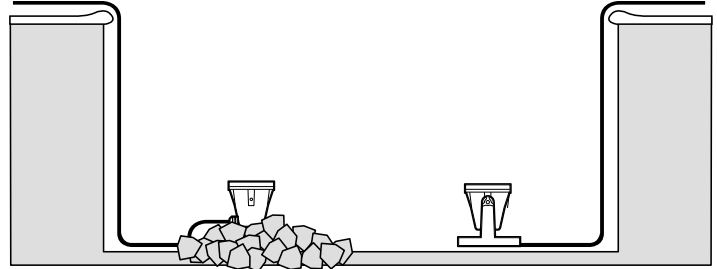
With Aiming Bracket (-AB)

- 1) Install fixture into pond/fountain, adjust aiming bracket to desired angle. Note: (3) holes in Aiming bracket can be used to attach/screw to surface.
- 2) Route wire out of water and connect to 12v power supply per local code. Check for proper operation.

LAMP INSTALLATION/REPLACEMENT

CAUTION: Do not exceed maximum wattage marked on fixture label.

- 1) Remove fixture from water.
- 2) Remove screws on front cover. Remove cap. Remove lamp & replace with same wattage/type. Ensure gasket is in good condition & replace cover and screw in place. Reinstall in pond and check for proper installation.



For Questions Call 1-888-882-1350