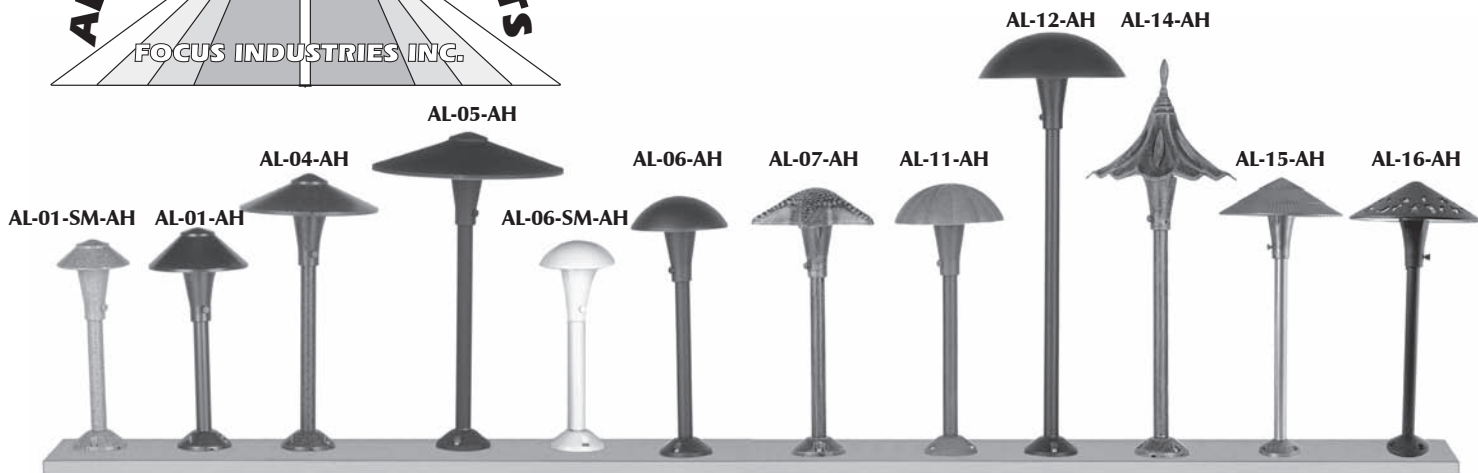


ADJUSTABLE HUBS FOR AREA LIGHTS

12 VOLT HALOGEN FIXTURES



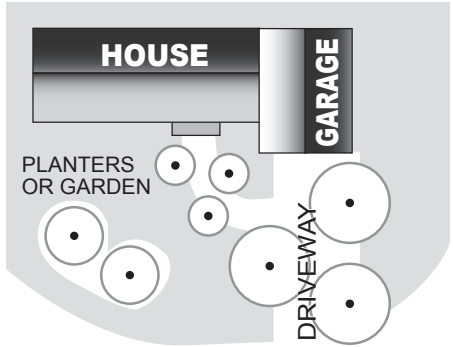
ORDERING INFORMATION	
Catalog#	Beam Spread Diameter
AL-01-SM-AH	4' - 30'
AL-01-AH	4' - 30'
AL-04-AH	6' - 34'
AL-05-AH	9.5' - 36'
AL-06-SM-AH	4' - 30'
AL-06-AH	5' - 30'
AL-07-AH	6' - 20'
AL-11-AH	5' - 30'
AL-12-AH	8' - 34'
AL-14-AH	4' - 28'
AL-15-AH	6' - 32'
AL-16-AH	6' - 32'

For Optional Powder Coat Finishes, Add -Color +\$5.00 to List Price (see Options below right).
For Sprinkler Guard (see below), Add -FA-97 and \$6.00 to List Price.

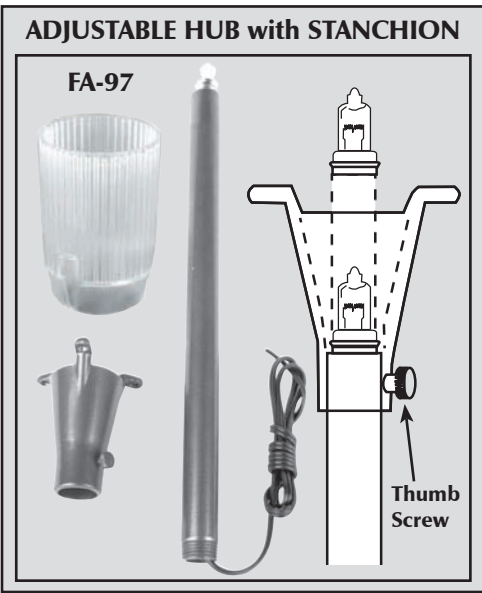
- ADVANTAGES:**
- Tremendous flexibility in light output.
 - Quick lamp replacement.
 - No set holes
 - The set screw pressure fits against tubing, allowing multiple choices in light output.
 - All -AH fixtures are Halogen. (S-8 can be used but will require a 3-screw removal of the hat to replace the light bulb. The fixture will have less adjustability due to a larger light bulb.)
 - One fixture can be used for many applications (see site example).

SITE EXAMPLE

To change light spread, simply lower or raise the Hat/Hub assembly until desired coverage is achieved. Placing the filament of the light bulb closer to the top edge of the Hub will result in the greatest or largest spread of light. If you raise the Hat/Hub assembly to where the light bulb is no longer visible, all light will be fully reflected from the Hat assembly resulting in diffused lighting.




NOTE: Light output varies based on the position of the light bulb within the hub and/or the hat style.



- OPTIONS**
- LAMP SUPPLIED:** 20w Halogen Single Contact (BA15s)
- LAMP OPTIONS:**
- 10w Halogen Single Contact (BA15s); Add -H10 to Catalog #
 - 5w, 10w or 20w Halogen Bi-pin; Add -BPH5, -BPH10, or -BPH20 to Catalog #
 - 10w or 20w Xenon Bi-pin; Add -X10BP or -X20BP to Catalog #
 - 10w or 20w Xenon Single Contact Add -X10 or -X20 to Catalog #
 - 18w S-8 Single Contact (BA15s); Add -18w to Catalog #
 - 12w S-8 Single Contact (BA15s); Add -12w to Catalog #
 - 25w S-8 Single Contact (BA15s); Add -25w to Catalog #
 - 20w Halogen Single Contact (BA15s); 10,000 hr ultra Add -H10k to Catalog #

ACCESSORIES

FA-97 - Sprinkler shield/ Glare reducer - Must specify for which fixture to be used.



JOB INFORMATION	
Type:	Date:
Job Name:	
Cat. No.:	
Lamp(s):	
Notes:	
Specifier:	
Contractor:	
FOCUS LANDSCAPE LIGHTING 25301 COMMERCENTRE DRIVE LAKE FOREST, CA 92630	
www.focusindustries.com sales@focusindustries.com (949) 830-1350 • FAX (949) 830-3390	

Powder coat Finishes	Black Texture (Standard)	Antique Verde	Bronze Texture	Camel	White Texture	Hunter Texture	Rust	Weathered Iron	Weathered Brown	Stucco	Rubbed Verde	Chrome Powder	Terra Cotta
Ordering Code:	-BLT	-ATV	-BRT	-CAM	-WTX	-HTX	-RST	-WIR	-WBR	-STU	-RBV	-CPR	-TRC