

SPECIALTY LIGHTS

Underwater Lights – 12 volt





SL-11-BAT
25w PAR36 VWFL Lamp (50w max.)
Solid Brass



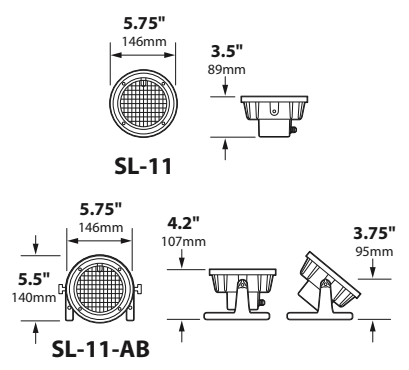
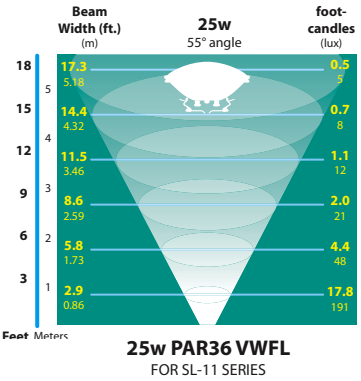
SL-11-AB
25w PAR36 VWFL Lamp (50w max.)
Solid Brass

SL-11, SL-11-AB SPECIFICATIONS:

- Construction:** Solid cast brass (unfinished) with black O-ring in base of casting with spun brass retaining ring
- Aiming bracket (SL-11-AB only):** Solid cast brass with black thumbscrews
- Lens:** High impact clear acrylic
- Lamp:** 25 watt PAR36 VWFL (50 watt max.)
- Socket:** 2-screw terminal or slip-on 1/4" male disconnect
- Lamp life:** 2000 hours average rating
- Wiring:** 15 feet 18/2 SJT-WA cord
- Connection:** FA-05 Quick Connector (not supplied) from main 12/2, 10/2 or 8/2 cable (12 volt only)
- Cord connector:** Brass nickel-plated liquid tight straight bushing
- Mounting:** Flush on bottom surface
- Standard finish:** Unfinished brass, available with Black Acid Treatment. Add -BAT to catalog number

RECOMMENDED ENHANCEMENTS FOR SL-11 SERIES:

- 12v. Lamp Options:** See page 147 group L PAR36, (G, E only)
- FA-105** Brass Adjustable Aiming Bracket with black thumbscrews
- FA-35-BLUE** Blue Plastic Color Filter
- FA-35-GREEN** Green Plastic Color Filter
- FA-35-AMBER** Amber Plastic Color Filter
- FA-35-RED** Red Plastic Color Filter
- FA-137** For additional cord length, add length in feet to catalog number (50' maximum)



Note: Depth, Clarity and Movement will determine width and intensity exiting beam spread quality and reach of the light beam. Not recommended for applications deeper than 4 feet. Dirty water will reduce light dramatically. Movement will cause distortions and widening of the beam spread.



FA-35 Series Filters: Blue, Red, Green, Amber, White for SL-11





SL-33-BAT
20w MR16 FL (BAB) Lamp (50w max.)
Solid Brass



SL-33-SM



SL-33-AC-WHT
20w MR16 FL (BAB) Lamp (50w max.)
Solid Brass



SL-33-SM-AC



SL-33-AB
20w MR16 FL (BAB) Lamp (50w max.)
Solid Brass



SL-33-AB-AC
20w MR16 FL (BAB) Lamp (50w max.)
Solid Brass

SL-33 SERIES SPECIFICATIONS:

Construction: Solid cast brass body and cap

Aiming bracket (SL-33-AB, SL-33-AB-AC only): Solid cast brass with black knobs

Lens: High impact clear tempered flat glass

Lamp: 20 watt MR16 flood (BAB) with front glass (50 watt max.)

Socket: GU5.3 high-temperature ceramic bi-pin with 250°C lead wire

Lamp life: 5000 hours average rating; also available 10,000 hour MR16, add **-10K** to catalog no.

Wiring: 15 feet of 18/2 SJT-WA cord, side mount wiring on -SM designated models

Cord connector: Brass nickel-plated liquid-tight straight bushing from base of fixture

Mounting: Flush to bottom surface with aiming bracket (-AB). Wall mount with stainless steel screws 3.5" (not supplied)

Standard finish: Unfinished brass, available with Black Acid Treatment. Add **-BAT** to catalog number

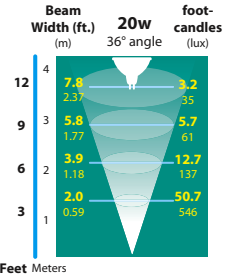
Catalog Number Description

SL-33	Brass Underwater light
SL-33-AC	Brass Underwater light with angle collar
SL-33-AB	Brass Underwater light, adjustable aiming bracket and black thumbscrews
SL-33-AB-AC	Brass Underwater light with angle collar and adjustable aiming bracket
SL-33-SM	Brass Underwater light with side mount cord
SL-33-SM-AC	Brass Underwater light with side mount cord and angle collar

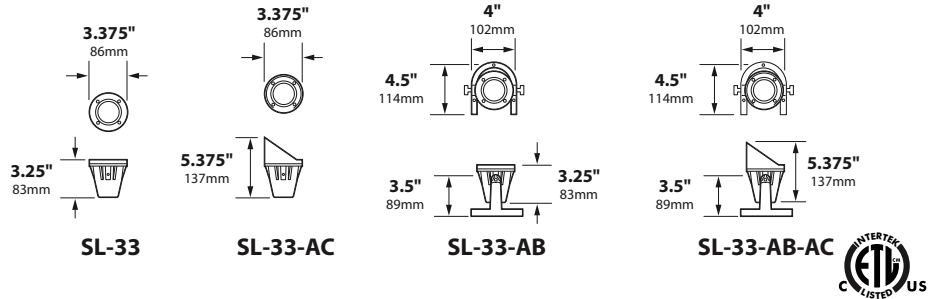
RECOMMENDED ENHANCEMENTS FOR SL-33 SERIES:

12v. Lamp Options: See pages 143-144 group E, MR16)

- FA-11-SL33-BLUE** Blue Tempered Glass Lens
- FA-11-SL33-GREEN** Green Tempered Glass Lens
- FA-11-SL33-RED** Red Tempered Glass Lens
- FA-11-SL33-AMBER** Amber Tempered Glass Lens
- FA-11-SL33-WHT** White Flashed Opal Tempered Glass Lens
- FA-137** For additional cord length, add length in feet to catalog number (50' maximum)
- FA-154** Brass Adjustable Aiming Bracket
- FA-155-CST** Cast Brass Angle Collar (-AC)



20w MR16 FL (BAB)
FOR SL-33 SERIES





SL-40
20w MR11 FL (FTD) Lamp (35w max.)
Solid Brass



SL-40-SM



SL-40-AB-WHT
20w MR11 FL (FTD) Lamp (35w max.)
Solid Brass



SL-40-AB-AC-BAT
20w MR11 FL (FTD) Lamp (35w max.)
Solid Brass

SL-40 SERIES SPECIFICATIONS:

- Construction:** Solid cast brass
- Aiming bracket (SL-40-AB, SL-40-AB-AC only):** Solid cast brass with black knobs
- Lens:** High impact clear tempered flat glass
- Lamp:** 20 watt MR11 flood (FTD) with front glass (35 watt max.)
- Socket:** GZ4 high-temperature ceramic bi-pin with 250°C lead wire
- Lamp life:** 2000 hours average rating
- Wiring:** 15 feet of 18/2 SJT-WA cord, side mount wiring on -SM designated models
- Cord connector:** Brass nickel-plated liquid-tight straight bushing from base of fixture
- Mounting:** Flush to bottom surface with aiming bracket (-AB). Wall mount with stainless steel screws 3.5" (not supplied)
- Standard finish:** Unfinished brass, available with Black Acid Treatment. Add -BAT to catalog number

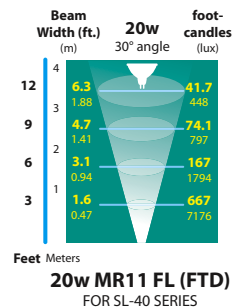
Catalog Number Description

SL-40	Brass Underwater light
SL-40-AC	Brass Underwater light with angle collar
SL-40-AB	Brass Underwater light with adjustable aiming bracket
SL-40-AB-AC	Brass Underwater light with angle collar and adjustable aiming bracket
SL-40-SM	Brass Underwater light with side mount wire
SL-40-SM-AC	Brass Underwater light with side mount wire and angle collar

RECOMMENDED ENHANCEMENTS FOR SL-40 SERIES:

12v. Lamp Options: See page 144 group F

- FA-11-SL40-BLUE Blue Tempered Glass Lens
- FA-11-SL40-GREEN Green Tempered Glass Lens
- FA-11-SL40-RED Red Tempered Glass lens
- FA-11-SL40-AMBER Amber Tempered Glass Lens
- FA-11-SL40-WL White Flashed Opal Tempered Glass Lens
- FA-137 For additional cord length, add length in feet to catalog number (50' maxi.)
- FA-157 Cast Brass Angle Collar (-AC)
- FA-158 Brass Adjustable Aiming Bracket (-AB)



Tempered Glass Lenses

Left to right: FA-11-SL40-WHT, -BLUE, -GREEN for SL-40
FA-11-SL33-RED, -AMBER, -WHT for SL-33

