

COMMERCIAL MOUNTING PEDESTAL • FA-25/26

SPECIFICATIONS:

CAP: Die Cast Aluminum, 1/2" NPS Tapped

POST: 3" Black ABS Plastic 1/4" Wall Thickness

WIRING: For 120v (FA-26) Supplied by Others. Ground Wire Included in Cap
For 12v (FA-25) None

FINISH: Black Polyester Powder Coat

CAP FINISH OPTIONS:

For Aluminum Caps:

Antique Verde, Bronze, Hunter, Camel, Rubbed Verde, Rust, Stucco, Weathered Brown, Weathered Iron, White

For Brass Caps:

Raw, Acid Verde, Acid Rust

POST OPTIONS: Black or Rubbed Verde

FA-25/26

FA-26-PC

FA-26-R



ORDERING INFORMATION

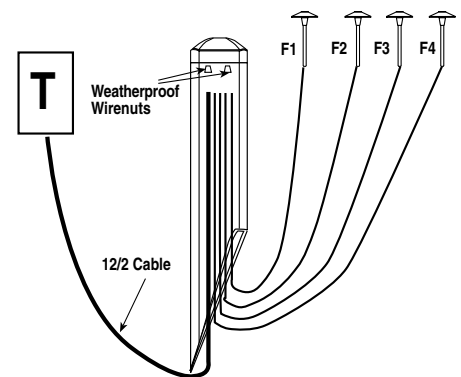
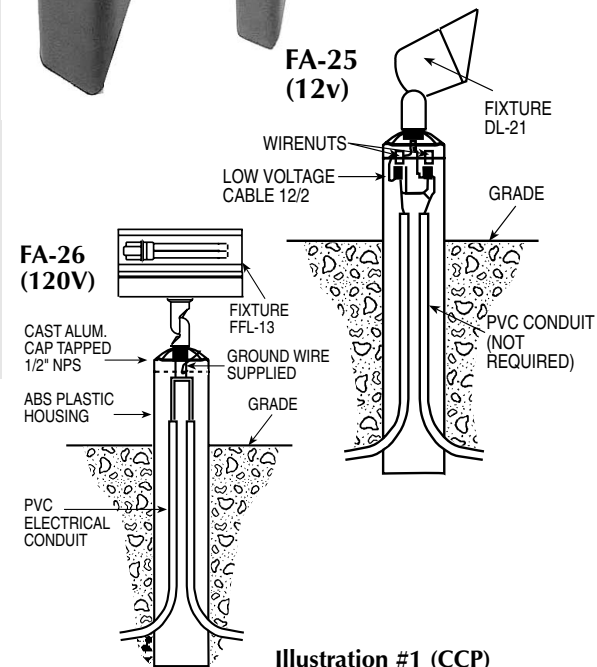
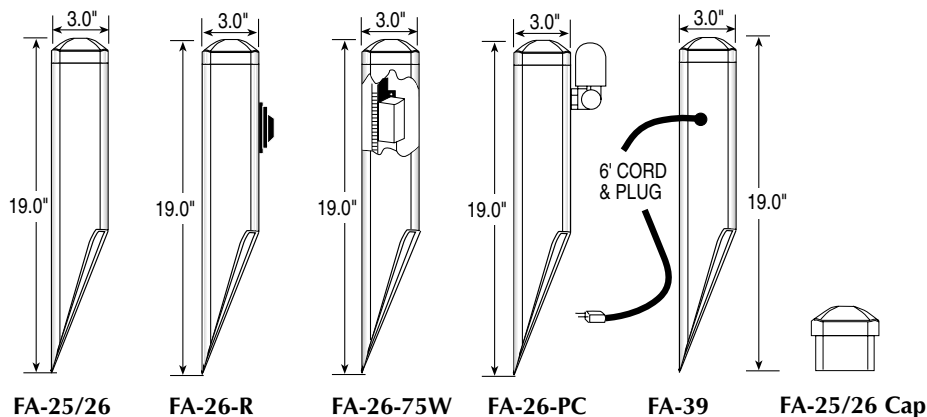
| Catalog # | Description | List Price | Est. Ship. Wt. |
|-----------|----------------------------------------------------------------------------|------------|----------------|
| FA-25 | Black, ABS Commercial Mounting Pedestal (12v) | \$34.00 | 2.0 lb |
| FA-26 | Black, ABS Commercial Mounting Pedestal (120v) | \$36.00 | 2.0 lb |
| FA-26-R | Same as Above with Receptacle (120v) | \$45.00 | 2.0 lb |
| FA-26-PC | Black, ABS Commercial Mounting Pedestal w/Attached Photo Cell (120v) | \$60.00 | 2.0 lb |
| FA-26-75W | Black, ABS Commercial Mounting Pedestal w/75 watt 12v Transformer (120v) | \$110.00 | 2.0 lb |
| FA-39 | Black, ABS Commercial Mounting pedestal w/6' Grounded Cord and Plug (120v) | \$38.00 | 3.0 lb |

Note: For optional powder coat finishes for cap, add -Color + \$2 to above catalog #s.

Note: For cast brass cap (unfinished), add -Brass + \$15 to above catalog #s. For acid verde or acid rust, add -Acid Verde or -Acid Rust + \$15 to above catalog #s.

APPLICATIONS:

Heavy traffic areas, Commercial Projects. Where strength and stability are required. For turf areas. Anywhere a standard weatherproof Junction Box would be used for electrical access. A non-corrosive, aesthetically pleasing extremely functional Weatherproof junction box. Can be used as a central connection point (CCP) for 2-6 (12v) fixtures to insure equal voltage delivery to each fixture, providing the lead wires to each 12v fixture are the same length and the wattage of each fixture is the same. See Illustration #1.



Fii FOCUS™
LANDSCAPE LIGHTING

DIVISION OF FOCUS INDUSTRIES, INC.

25301 COMMERCENTRE DRIVE
LAKE FOREST, CA 92630
(949) 830-1350 • FAX (949) 830-3390
www.focusindustries.com
sales@focusindustries.com



MEMBER OF

