

ORDERING INFORMATION

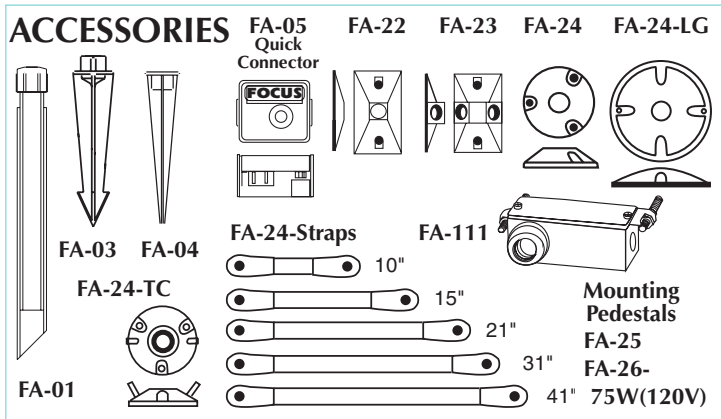
Catalog #	Description	Brass Option	Copper Option	Light Bulbs Standard/Options	List Price	Est. Ship. Wt.
FLEX PATH LIGHTS						
FPL-02	18w 4.5" Cast Alum. Bell 36" Blk. Flex Arm	Yes	Yes	S-8/T3-BP/T3-SC/ALR-12/X	\$88.00	3.0 lbs.
FPL-04	18w 4.6" Cast Alum. Tulip 36" Blk. Flex Arm	Yes	No	S-8/T3-BP/T3-SC/ALR-12/X	\$91.00	4.0 lbs.
FLEX SPOT LIGHTS						
FDL-17	20w 1.5" Cast Alum. Bullet 24" Blk. Flex Arm	No	No	MR-11/ALR-12	\$82.00	3.0 lbs.
FDL-22	20w 2.6" Cast Alum. Bullet 24" Blk. Flex Arm	Yes	Yes	MR-16/T3-SC/T3-DC/S8/X	\$84.00	3.0 lbs.
Note: For 36" Flex arms, Add -36" and \$20.00 to Catalog #						
FLEX FLOOD LIGHTS						
FDL-04	18w 3.5" Extrud. Alum. Mini Flood 12" Blk. Flex Arm	Yes	Yes	S-8/T3-BP/T3-SC/X	\$76.00	3.0 lbs.
FDL-07	18w 5.2" Cast Alum. Shell Hat 12" Blk. Flex Arm	Yes	No	S-8/T3-BP/T3-SC/X	\$83.00	3.0 lbs.
FDL-08	18w 5.5" Cast Alum. China Hat 12" Blk. Flex Arm	Yes	No	S-8/T3-BP/T3-SC/X	\$81.00	3.0 lbs.
FDL-09	18w 5.5" Cast Alum. Mushroom Hat 12" Blk. Flex Arm	Yes	No	S-8/T3-BP/T3-SC/X	\$81.00	3.0 lbs.
FDL-10	35w 5.0" Extrud. Alum. Mini Flood 12" Blk Flex Arm	No	No	T3-DC/T3-BP/TC-SC/X	\$87.00	3.0 lbs.
FDL-11	18w 7.0" Cast Alum. Starfish Hat Fld. 12" Blk. Flex Arm	Yes	No	S-8/T3-BP/T3-SC/X	\$83.00	3.0 lbs.
FDL-12	18w 6.0" Cast Alum. Scallop Hat 12" Blk. Flex Arm	Yes	No	S-8/T3-BP/T3-SC/X	\$83.00	3.0 lbs.
Note: For 24" Flex Arms, Add -24" and \$10 to Catalog #. For 36" Flex Arms, Add -36" and \$20 to Catalog #						

SPECIFICATIONS

- FLEX ARM:** 12", 24" or 36" Steel Chrome Plated with Black Polyolefin Shrink Cover: Flood Lights (12" Standard), Spot Lights (24" Standard), Path Lights (36" Standard)
NOTE: Also available in rubbed verde for rubbed verde fixture heads.
- FIXTURE HEAD:** See Ordering Information Description Above.
- WIRING:** 18/2 Black Zip Cord 6' Length from Base of Fixture
- CONNECTION:** FA-05 Quick Connector to Attach Fixture Lead to Main Cable of 12V Landscape Lighting System
- SOCKET:** Brass Nickel Plated Screw Shell with Ceramic Contact and Stainless Steel Spring for S.C. Light Bulbs. For MR-11 or MR-16 Ceramic Body and Contacts with Stainless Steel Springs.
- SUPPLIED LIGHT BULBS:** See First Listing Under **Light Bulbs Standard/Optional** in Catalog Description Table Above
- FINISH:** Black Polyester Powder Coat for Fixture Head (Standard)

OPTIONS

- MOUNTING BASES:** FA-03 Stake Supplied: FA-01, FA-04, FA-25, FA-26-75W(120V); Deck Mounts : FA-22, FA-23, FA-24, FA-24-LG; Tree Mounts: FA-24-TC, FA-111. Add to Catalog #.
- POWER SUPPLIES:** DB, HW, PI, MLT/MST Series, WT (see main Cat.)
- OPTIONAL LIGHT BULBS: T-3/B.P.:** 5w, 10w or 20w Bi-pin Halogen; Add -BPH5, -BPH10 or -BPH20 to Cat. #; **S-8** 12w (#93), 25w(#1156); Add -12w or -25w to Catalog #; **T-3/S.C.** 10w or 20w Halogen S.C.; Add -H10 or -H20 to Catalog #; **T-3/D.C.** 35w or 50w Halogen: Add -H35 or -H50 to Catalog # **ALR-12** 20w GBF Double Contact Base; Add -ALR-12 to Cat. # **Xenon** 10w or 20w G-4 Bi-pin Base; Add -X10 or -X20 to Cat. #
- POWDERCOAT FINISHES:** White, Bronze, Rust, Antique Verde, Rubbed Verde, Hunter, Weathered Brown, Stucco, Weathered Iron, Camel, and Chrome Powder. **To Order,** Add Suffix of Desired Color to Catalog #, e.g. -Stucco
- PLATED FINISHES:** Chrome Plated and Satin Chrome. Consult Factory for Price & Availability. Longer Lead Times May Occur.



- For Solid Unfinished Brass, Add -Brass to Catalog #
 - For Solid Unfinished Copper, Add -Copper to Catalog #
- For Brass or Copper, Consult Factory for Price & Availability**

FOCUS INDUSTRIES, INC.

Corporate Headquarters
25301 Commercentre Drive ■ Lake Forest, CA 92630
(949) 830-1350 ■ FAX (949) 830-3390
www.focusindustries.com ■ sales@focusindustries.com

Regional Distribution Centers

1400 Hanley Industrial, St. Louis, MO 63114 ■ (314) 962-3570 ■ FAX (314) 962-5449
6809 New State Rd, Philadelphia, PA 19135 ■ (215) 624-8650 ■ FAX (215) 624-8660
12139 S.W. 131 Avenue, Miami, FL 33186 ■ (305) 233-6581 ■ FAX (305) 233-6725
1412 Dunn Street, Carrollton, TX 75006 ■ Ph (972) 245-6461 ■ Fax (972) 446-7284
1 Lightsky Court, Suite #4, Sacramento, CA 95828 ■ Ph (916) 386-2233 ■ Fax (916) 386-2232



ALL PRODUCTS MADE IN THE U.S.A.
MOST PRODUCTS & LISTED

Member of

