

SPECIFICATIONS:

HOUSING: Cast Aluminum

SWIVEL: Cast Brass, Easily Adjustable

LAMP SUPPLIED: 20 watt MR8 Bi-pin

LAMP OPTIONS: See Light Distributions Below

LENS: 1/8" Clear Tempered Glass

GASKET: High Temperature Silicon O-Ring

LAMP BASE: High Temperature Ceramic (GZ4) Bi-Pin for MR8

LAMP LIFE: 2000 Hours Average Rating for MR8

WIRING: Black 3 Foot 18/2 Gauge Zip Cord from Base of Fixture for DL-23, DL-23-CSM, FDL-23, SL-29; 6 Feet for SL-39 (Hanging Fixture)

MOUNTING: FA-03 (Supplied) Black 9" ABS Tapped 1/2" NPS for DL-23
18" Baby Oval Chain for SL-39; Mini J-Box for SL-29, Custom Brass Stake for DL-23-CSM

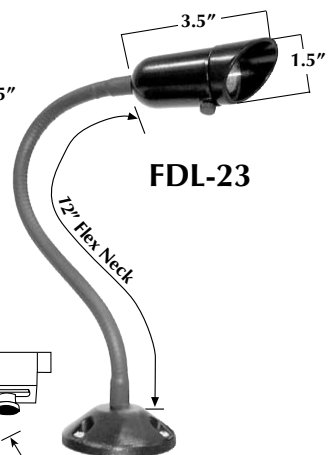
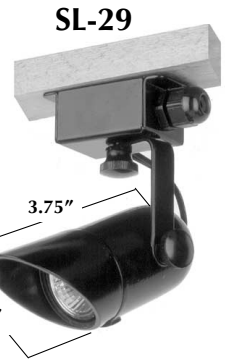
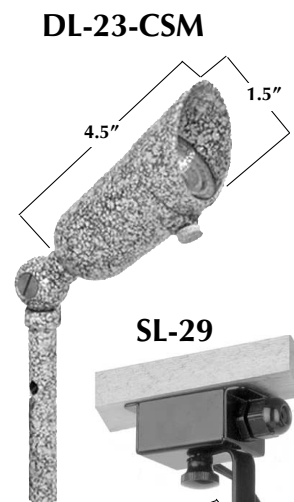
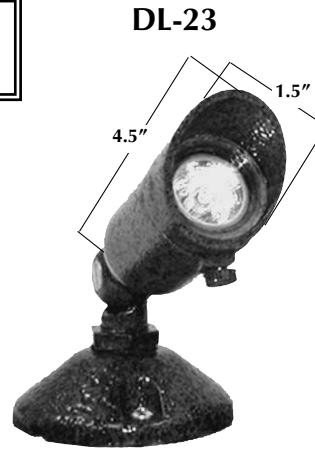
MOUNTING OPTIONS: See Below for DL-23 or SL-29

CONNECTION: FA-05 (Supplied) from Fixture to Main Cable (12/2, 10/2, 8/2 or 12/3)

FINISH: Black Texture Polyester Powder Coat

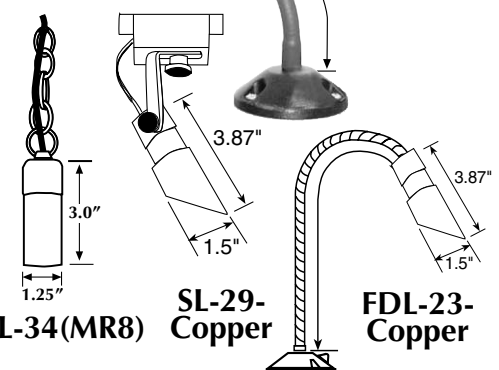
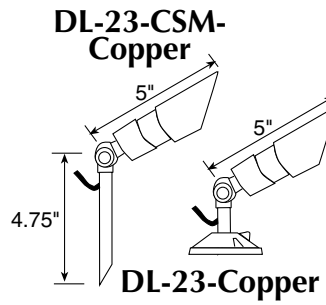
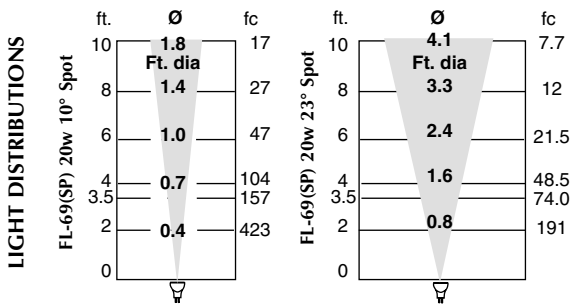
FINISH OPTIONS: Antique Verde, Bronze, Camel, White, Hunter Green, Rust, Weathered Brown, Weathered Iron, Stucco and Rubbed Verde. For Optional Powder Coat Finishes, Add -Color + \$4.00 to below Catalog #s.

BRASS/COPPER: For Cast Brass (Unfinished), Add -Brass to Catalog #s below. For Copper (Unfinished), Add -Copper to below Catalog #s. (Copper Products Designs may vary) See Line Drawings.) For Polished Brass, Add -Brass Polished to below Catalog #s + \$16.00. For Acid Verde or Acid Rust, Add -Acid Verde or -Acid Rust to -Brass + \$16.00 to below Catalog #s. For Clear Sealed, Add -Sealed + \$4.00 to Catalog #.

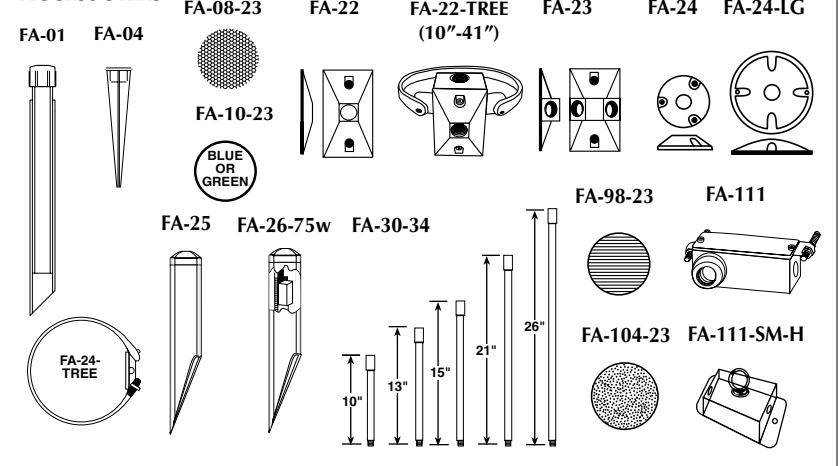


ORDERING INFORMATION

Catalog #	Description	Ship. Wt.	Price	-Brass	-Copper
DL-23	20w MR8 (fl) Cast Alum. Micro Bullet, Black Texture Finish	1 lb.	\$90.00	\$116.00	\$118.00
DL-23-CSM	Same as Above with Custom Brass Stake	1 lb.	\$92.00	\$112.00	\$115.00
FDL-23	Same as Above w/12" x 3/8" OD Flex Neck	1 lb.	\$88.00	\$112.00	\$115.00
SL-29	Same as Above w/Mini J-box & Aiming Bracket	1 lb.	\$82.00	\$118.00	\$120.00
SL-39	Same as Above w/18" Mini Chain	1 lb.	\$82.00	\$102.00	
SL-34(MR8)	20w MR8 (fl) w/18" Mini Chain (Copper)				\$82.00



ACCESSORIES



Fii FOCUS™
LANDSCAPE LIGHTING
DIVISION OF FOCUS INDUSTRIES, INC.
25301 COMMERCENTRE DRIVE
LAKE FOREST, CA 92630
(949) 830-1350 • FAX (949) 830-3390
sales@focusindustries.com
www.focusindustries.com

MEMBER OF