

WELL LIGHTS SL-20G-MR16/T • SL-20L-MR16/T • SL-20G-PAR36/T • SL-20L-PAR36/T

SPECIFICATIONS:

HOUSING: Bronze Fiberglass Reinforced Composite
LENS: Clear Convex Tempered Glass
LENS HOLDER: Bronze Fiberglass Reinforced Composite SL-20L
GRATE LENS HOLDER: Bronze Fiberglass Reinforced Composite SL-20G
GASKET: Black High Tempered Silicone
LAMP SUPPLIED: 75w MR16 EYC (Flood) or any MR16 Bi-Pin Lamp for SL-20-MR16 Series; 36w PAR36 QWFL or any PAR36 Lamp for SL-20-PAR36 Series
LAMP LIFE: 4000 Hours Average Rating
SOCKET: High Temperature Ceramic Bi-Pin with 200° Silicon Lead Wires for SL-20-MR16 Series; None for SL-20-PAR36 Series
WIRING: Black 4' 18/2 Zip Cord (For 12V Only)
CONNECTION: FA-05 (Quick Connector Not Supplied) for Fixture to Main Cable Connection (12/2, 10/2, 8/2 or 12/3 only) (For 12V Only)
AIMING: Vertical movement within Housing, as well as Aiming Capability of 0-35° for SL-20-MR16 Series; Aiming Capability of 0-20° for SL-20-PAR36 Series
FOR INTEGRAL TRANSFORMER: Add -T to Catalog #. 120 volt Input, 12 volt Output 75 watt max. Electronic, Fully Dimmable (Line Side), and Short Circuit/Overload Protection.

ORDERING INFORMATION

| CATALOG # | DESCRIPTION | EST. WT. FOR ALUM. |
|---------------|--|--------------------|
| SL-20L-MR16 | 75w MR16 Sealed Comp. Lensed Well Light | 4.0 lbs. |
| SL-20L-MR16T | Same as above, w/integral transformer | 4.0 lbs. |
| SL-20G-MR16 | 75w MR16 Sealed Comp. Grated Well Light | 4.0 lbs. |
| SL-20G-MR16T | Same as above, w/integral transformer | 4.0 lbs. |
| SL-20L-PAR36 | 36w PAR36 Sealed Comp. Lensed Well Light | 4.0 lbs. |
| SL-20L-PAR36T | Same as above, w/integral transformer | 4.0 lbs. |
| SL-20G-PAR36 | 36w PAR36 Sealed Comp. Grated Well Light | 4.0 lbs. |
| SL-20G-PAR36T | Same as above, w/integral transformer | 4.0 lbs. |

ACCESSORIES:

| Light Blue Lens | Flat Green Lens | Flat Clear Lens | Hex Cell Louver |
|--------------------------|--|------------------|-----------------|
| FA-10-SL20-Blue | FA-10-SL20-Green | FA-10-SL20-Clear | FA-08-SL20 |
| FA-133-Brass/Alum | Cast Brass/Aluminum Lens Holder for SL-20 Series | | |
| FA-134-Brass/Alum | Cast Brass/Aluminum Grate for SL-20 Series | | |
| FA-135-Brass/Alum | Cast Brass/Aluminum Mini Shield for SL-20 Series | | |

12 V or 120 V



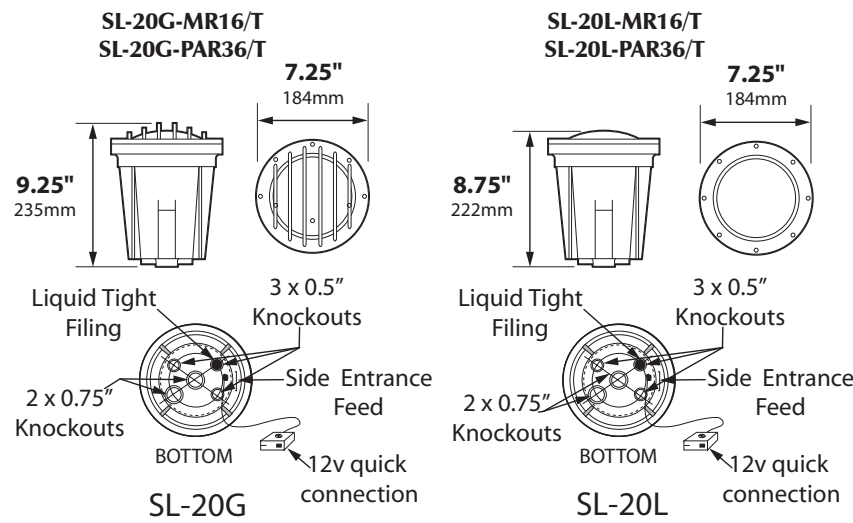
SL-20L-MR16 SL-20G-MR16
 SL-20L-MR16T SL-20G-MR16T

NOTE: L=Lens Holder and G=Grate



SL-20L-PAR36 SL-20G-PAR36
 SL-20L-PAR36T SL-20G-PAR36T

NOTE: L=Lens Holder and G=Grate



Note: See Manufacturers for Photometric Information on Light Distributions or Focus Comprehensive Specification Brochure.



JOB INFORMATION

Type: _____ Date: _____
 Job Name: _____
 Cat. No.: _____
 Lamp(s): _____
 Notes: _____
 Specifier: _____
 Contractor: _____

FOCUS LANDSCAPE LIGHTING
 25301 COMMERCENTRE DRIVE
 LAKE FOREST, CA 92630
 www.focusindustries.com
 sales@focusindustries.com
 (949) 830-1350 • FAX (949) 830-3390

© May 2004 Focus Industries Inc. All rights reserved. FSA-35 \$2.00

| Powder coat Finishes | Black Texture (Standard) | Antique Verde | Bronze Texture | Camel | White Texture | Hunter Texture | Rust | Weathered Iron | Weathered Brown | Stucco | Rubbed Verde | Chrome Powder | Terra Cotta |
|----------------------|--------------------------|---------------|----------------|-------|---------------|----------------|------|----------------|-----------------|--------|--------------|---------------|-------------|
| Ordering Code: | -BLT | -ATV | -BRT | -CAM | -WTX | -HTX | -RST | -WIR | -WBR | -STU | -RBV | -CPR | -TRC |