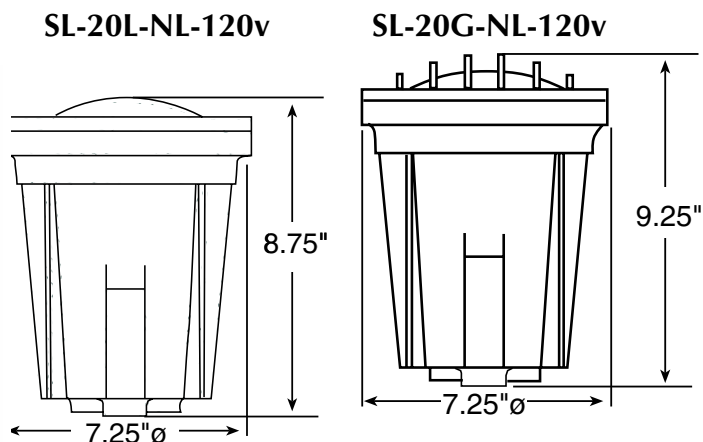


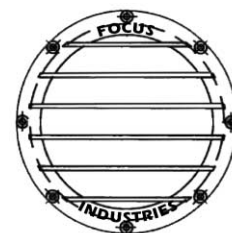
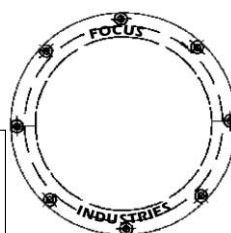
WELL LIGHTS

SL-20L-NL-120v • SL-20G-NL-120v

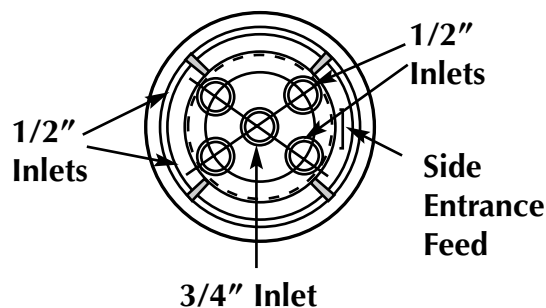


Top with Lens

Top with Grate



Bottom



SPECIFICATIONS:

HOUSING: Brown Fiberglass Reinforced Composite

LENS: Clear Convex Tempered Glass

LENS HOLDER: Brown Fiberglass Reinforced Composite SL-20L

GRATE LENS HOLDER: Brown Fiberglass Reinforced Composite

GASKET: Black High Tempered Silicone

LAMP SUPPLIED: By Others — Designed for PAR20/30 & 38 light bulbs; 50 - 150 watt max. **Note:** Please specify which PAR lamp will be used. This determines which bracket is supplied. **Note:** See manufacturers for photometric information on light distribution.

SOCKET: High Temperature Medium Base Ceramic with 150° Silicon Lead Wires with Brass Nickel Plated Contacts

WIRING: Standard 120 volt

AIMING: Vertical movement within Housing, as well as Aiming Capability of 0-25° for PAR20; 0-20° for PAR30; None for PAR38 lamps

ORDERING INFORMATION

CATALOG #	DESCRIPTION	APPROX. NET WEIGHT
SL-20L-NL-120v	50-150w PAR20/30/38 Sealed Composite Lensed Well Light	3.0 lbs.
SL-20G-NL-120v	50-150w PAR20/30/38 Sealed Comp. Grated Well Light	3.2lbs.

ACCESSORIES:

FA-10-SL20-Blue	Light Blue Flat Lens
FA-10-SL20-Green	Green Flat Lens
FA-10-SL20-Clear	Clear Flat Lens
FA-08-SL20	Flat Hex Cell Louver
FA-133-Brass/Alum	Cast Brass/Aluminum Lens Holder for SL-20 Series
FA-134-Brass/Alum	Cast Brass/Aluminum Grate for SL-20 Series
FA-135-Brass/Alum	Cast Brass/Aluminum Mini Shield for SL-20 Series

Fii FOCUS™

LANDSCAPE LIGHTING

DIVISION OF FOCUS INDUSTRIES, INC.

25301 COMMERCENTRE DRIVE
LAKE FOREST, CA 92630

(949) 830-1350 ■ FAX (949) 830-3390

sales@focusindustries.com ■ www.focusindustries.com

MEMBER OF

